



CATALOG 目录



01/ **YE3** 高效三相异步电动机
High Efficiency Three-phase Asynchronous Motor

05/ **YE2** 高效三相异步电动机
High Efficiency Three-phase Asynchronous Motor

09/ **YBK3** 高效隔爆型三相异步电动机
High Efficiency Flameproof Three Phase Asynchronous Motor

13/ **YL** 双值电容单相异步电动机
Double-value Capacitor Single-phase Asynchronous Motor

15/ **YE2** 高效铝壳异步电动机
High Efficiency Aluminum Case Induction Motor

17/ **YEJ2** 电磁制动三相异步电动机
Three Phase Induction Motor With Electromagnetic Braking

19/ **YVF2** 变频调速三相异步电动机
Frequency Control Three-phase Asynchronous Motor

21/ **YD** 变极多速三相异步电动机
Pole changing multi speed three phase asynchronous motor

25/ **JW** 分马力微型电动机
Fractional Horsepower Miniature Motor

26/ **JX** 分马力微型电动机
Fractional Horsepower Miniature Motor

YE3 高效三相异步电动机

High Efficiency Three-phase Asynchronous Motor



产品概述 PRODUCT OVERVIEW

YE3系列是本公司依据GB/T28575-2012新开发的全封闭自扇风冷式鼠笼型高效率三相异步电动机,并且公司已经取得高效率节能认证,该系列电动机的效率指标达到中国GB18613-2012《中小型三相异步电动机能效限定值及能效等级》中的2级能效等级,符合IEC60034-30中的能效等级中的IE3,和目前国际先进的美国NEMA高效电机处于同一水平。相对YE2系列, YE3系列高效率电动机更加节能,低碳和环保,安装尺寸,功率等级和普通电机完全相同,符合国际电工委员会IEC60072-1标准,可直接替换从而达到节能、节电的目的,便于市场推广,中心高H160及以上电机可配装不停机注排油装置,并预留有安装热敏电阻和防潮加热带的空间,方便用户选用。该系列电动机功率范围:0.75KW-375KW;机座中心高:H80-H355。

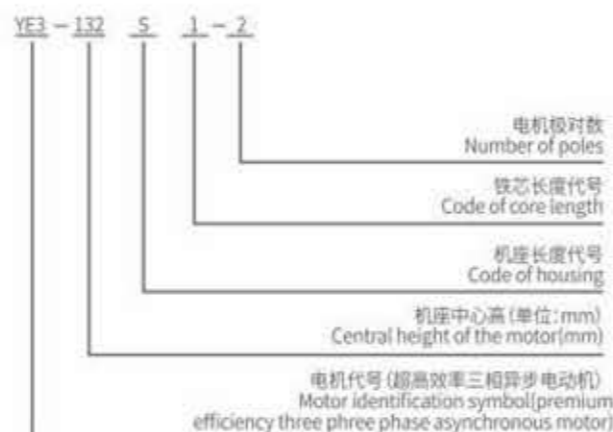
YE3 series is a fully enclosed fan-cooled squirrel cage type high efficiency three-phase asynchronous motor newly developed by our company according to GB/T28575-2012, and the company has obtained the high efficiency and energy saving certification. The efficiency index of this series motor reaches the energy efficiency grade 2 in China GB18613-2012 "Energy efficiency limit value and energy efficiency grade of small and medium-sized three-phase asynchronous motor", complies with IE3 in the energy efficiency grade of IEC60034-30, and is at the same level with the current international advanced American NEMA high efficiency motor. Relative YE2 series, YE3 series high efficiency motor more energy saving, low carbon and environmental protection, installation size, the same power level and general motors, in line with the international electrotechnical commission standard IEC60072-1, can be directly replaced so as to achieve the purpose of energy saving, power saving, easy to marketing, center high H160 and more motor can be equipped with non-stop note oil discharge device, and reserve a thermistor with installation and moistureproof tropical space, convenient for users to choose. Power range of this series of motors: 0.75KW-375KW; Base center height: H80-H355.

使用条件 OPERATING CONDITIONS

环境温度: -15°C~40°C
 海拔: 不超过1000米
 额定电压: 380V, 600V, 1140V, 380/660V, 660/1140V
 额定频率: 50Hz, 60Hz
 接法: 额定功率3kW及以下电机为Y接法
 额定功率4kW及以上电机为Δ接法
 工作制: 连续工作制(S1)
 防护等级: IP55
 防爆等级: Exd II BT4
 绝缘等级: F级
 冷却方式: IC411
 Ambient Temperature: -15°C~40°C
 Altitude: Up to 1000 meters
 Rated Voltage: 380V, 600V, 1140V, 380/660V, 660/1140V
 Rated Frequency: 50Hz, 60Hz
 Connection: Output ≤ 3kW, "Y" connection
 Output ≥ 4kW, "Δ" connection;
 Duty: Continuous (S1)
 Ingress Protection: IP55
 Explosion-proof grade: Exd II BT4
 Insulation Class: Class F
 Cooling Method: IC411

代号说明 DESIGNATION

电机型号释义/Explanation of type designation



安装方式 (Mounting Arrangements): IMB3, IMB5, IMB6, IMB7, IMB8, IMB14, IMB34, IMB35, IMV1, IMV3, IMV5, IMV6, IMV15, IMV17, IMV18, IMV19, IMV35, IMV37

YE3系列电机技术参数/Technical data—YE3 series motor— 2 Poles—50Hz

电机型号 Model	额定功率 Rated Output		满载时 Full Load						额定转矩 Rated Torque (Tn)	堵转转矩 堵转转矩 Tst/Tn	最大转矩 最大转矩 Tmax/Tn	堵转电流 堵转电流 Ist/In	噪声 Noise dB(A)	重量 Weight Kg
			转速 Speed RPM	电流 Input Current (amp)			效率 Efficiency η%	功率因数 Power Factor cosφ						
	kW	HP		380V	400V	415V			N.m					
YE3-80M1-2	0.75	1	2843	1.72	1.64	1.58	80.7	0.82	2.52	2.3	2.3	7.0	62	16
YE3-80M2-2	1.1	1.5	2843	2.43	2.31	2.23	82.7	0.83	3.70	2.2	2.3	7.3	62	17.5
YE3-90S-2	1.5	2	2856	3.22	3.06	2.95	84.2	0.84	5.02	2.2	2.3	7.6	67	23.5
YE3-90L-2	2.2	3	2856	4.58	4.35	4.19	85.9	0.85	7.36	2.2	2.3	7.6	67	28.5
YE3-100L-2	3	4	2883	6.02	5.71	5.51	87.1	0.87	9.94	2.2	2.3	7.8	74	38
YE3-112M-2	4	5.5	2892	7.84	7.45	7.18	88.1	0.88	13.21	2.2	2.3	8.3	77	49
YE3-132S1-2	5.5	7.5	2910	10.6	10.1	9.75	89.2	0.88	18.05	2.0	2.3	8.3	79	63
YE3-132S2-2	7.5	10	2910	14.4	13.7	13.2	90.1	0.88	24.61	2.0	2.3	7.9	79	70
YE3-160M1-2	11	15	2937	20.6	19.6	18.9	91.2	0.89	35.76	2.0	2.3	8.1	81	121
YE3-160M2-2	15	20	2937	27.9	26.5	25.5	91.9	0.89	48.77	2.0	2.3	8.1	81	132
YE3-160L-2	18.5	25	2937	34.2	32.5	31.3	92.4	0.89	60.15	2.0	2.3	8.2	81	152
YE3-180M-2	22	30	2946	40.5	38.5	37.1	92.7	0.89	71.31	2.0	2.3	8.2	83	191
YE3-200L1-2	30	40	2955	54.9	52.1	50.3	93.3	0.89	96.94	2.0	2.3	7.6	84	240
YE3-200L2-2	37	50	2955	67.4	64	61.7	93.7	0.89	119.6	2.0	2.3	7.6	84	257
YE3-225M-2	45	60	2964	80.8	76.8	74	94.0	0.90	145.0	2.0	2.3	7.7	86	310
YE3-250M-2	55	75	2969	98.5	93.5	90.2	94.3	0.90	176.9	2.0	2.3	7.7	89	400
YE3-280S-2	75	100	2973	133.7	127	122.4	94.7	0.90	240.9	1.8	2.3	7.1	91	525
YE3-280M-2	90	120	2973	159.9	151.9	146.4	95.0	0.90	289.1	1.8	2.3	7.1	91	555
YE3-315S-2	110	150	2978	195.9	185.3	178.6	95.2	0.90	352.8	1.8	2.3	7.1	92	990
YE3-315M-2	132	180	2978	233.6	221.9	213.9	95.4	0.90	423.3	1.8	2.3	7.1	92	1180
YE3-315L1-2	160	220	2978	279.4	265.5	255.9	95.6	0.91	513.1	1.8	2.3	7.2	92	1280
YE3-315L2-2	200	270	2978	346.6	331.1	319.2	95.8	0.91	641.4	1.8	2.2	7.2	92	1250
YE3-355M-2	250	340	2982	435.7	413.9	399	95.8	0.91	800.6	1.6	2.2	7.2	100	1910
YE3-355L-2	315	430	2982	549	521.5	502.7	95.8	0.91	1008.7	1.6	2.2	7.2	100	2000

YE3系列电机技术参数/Technical data—YE3 series motor— 4 Poles—50Hz

电机型号 Model	额定功率 Rated Output	转速 Speed RPM	380V	400V	415V	效率 Efficiency η%	功率因数 Power Factor cosφ	额定转矩 Rated Torque (Tn)	堵转转矩 堵转转矩 Tst/Tn	最大转矩 最大转矩 Tmax/Tn	堵转电流 堵转电流 Ist/In	噪声 Noise dB(A)	重量 Weight Kg	
YE3-80M2-4	0.75	1	1401	1.84	1.75	1.69	82.5	0.75	5.11	2.3	2.3	6.6	56	18.5
YE3-90S-4	1.1	1.5	1410	2.61	2.48	2.39	84.1	0.76	7.45	2.3	2.3	6.8	59	24
YE3-90L-4	1.5	2	1410	3.47	3.3	3.18	85.3	0.77	10.16	2.3	2.3	7.0	59	29.5
YE3-100L1-4	2.2	3	1428	4.76	4.52	4.36	86.7	0.81	14.71	2.3	2.3	7.6	64	39.5
YE3-100L2-4	3	4	1428	6.34	6.02	5.8	87.7	0.82	20.06	2.3	2.3	7.6	64	43.5
YE3-112M-4	4	5.5	1446	8.37	7.95	7.66	88.6	0.82	26.41	2.2	2.3	7.8	65	52
YE3-132S-4	5.5	7.5	1446	11.2	10.7	10.3	89.6	0.83	36.32	2.0	2.3	7.9	71	66
YE3-132M-4	7.5	10	1446	15	14.3	13.7	90.4	0.84	49.53	2.0	2.3	7.5	71	78
YE3-160M-4	11	15	1464	21.5	20.4	19.7	91.4	0.85	71.25	2.2	2.3	7.7	73	122
YE3-160L-4	15	20	1464	28.8	27.3	26.3	92.1	0.86	97.84	2.2	2.3	7.8	73	139
YE3-180M-4	18.5	25	1469	35.3	33.5	32.3	92.6	0.86	120.3	2.0	2.3	7.8	76	188
YE3-180L-4	22	30	1469	41.8	39.7	38.3	93.0	0.86	143.1	2.0	2.3	7.8	76	193



YE3系列电机技术参数/Technical data—YE3 series motor— 4 Poles—50Hz

电机型号 Model	额定功率 Rated Output		满载时 Full Load						额定转矩 Rated Torque (Tn)	堵转转矩 Tst/Tn	最大转矩 Tmax/Tn	堵转电流 Ist/In	噪声 Noise dB(A)	重量 Weight Kg
			转速 Speed RPM	电流 Input Current(amp)			效率 Efficiency $\eta\%$	功率因素 Power Factor cos ϕ						
	kW	HP		380V	400V	415V			N.m					
YE3-200L-4	30	40	1473	56.6	53.8	51.9	9.6	0.86	194.5	2.0	2.3	7.3	76	256
YE3-225S-4	37	50	1478	69.6	66.1	63.7	93.9	0.86	239.1	2.0	2.3	7.4	78	308
YE3-225M-4	45	60	1478	84.4	80.2	77.3	94.2	0.86	290.8	2.0	2.3	7.4	78	337
YE3-250M-4	55	75	1478	102.7	97.6	94.1	94.6	0.86	355.5	2.2	2.3	7.4	79	410
YE3-280S-4	75	100	1482	136.3	129.5	124.8	95.0	0.88	483.2	2.0	2.3	6.9	80	541
YE3-280M-4	90	120	1482	163.2	155.1	149.5	95.2	0.88	579.9	2.0	2.3	6.9	80	630
YE3-315S-4	110	150	1482	196.8	187	180.2	95.4	0.89	708.8	2.0	2.2	7.0	88	910
YE3-315M-4	132	180	1482	235.7	223.9	215.8	95.6	0.89	850.5	2.0	2.2	7.0	88	1005
YE3-315L1-4	160	220	1482	285.1	270.9	261.1	95.8	0.89	1030.9	2.0	2.2	7.1	88	1085
YE3-315L2-4	200	270	1482	351.7	334.1	322	96.0	0.90	1288.7	2.0	2.2	7.1	88	1160
YE3-355M-4	250	340	1491	439.6	417.7	402.6	96.0	0.90	1601.1	2.0	2.2	7.1	95	1830
YE3-315L-4	315	430	1491	553.9	553.9	507.2	96.0	0.90	2027.4	2.0	2.2	7.1	95	190

YE3系列电机技术参数/Technical data—YE3 series motor— 6 Poles—50Hz

电机型号 Model	额定功率 Rated Output	转速 Speed RPM	电流 Input Current(amp)	效率 Efficiency $\eta\%$	功率因素 Power Factor cos ϕ	额定转矩 Rated Torque (Tn)	堵转转矩 Tst/Tn	最大转矩 Tmax/Tn	堵转电流 Ist/In	噪声 Noise dB(A)	重量 Weight Kg			
YE3-90S-6	0.75	1	919	2.03	1.93	1.86	78.9	0.71	7.79	2.0	2.1	6.0	57	23
YE3-90L-6	1.1	1.5	919	2.83	2.69	2.59	81.0	0.73	11.43	2.0	2.1	6.0	57	28.5
YE3-100L-6	1.5	2	937	3.78	3.6	3.47	82.5	0.73	15.25	2.0	2.1	6.5	61	37.5
YE3-112M-6	2.2	3	946	5.36	5.09	4.91	84.3	0.74	22.21	2.0	2.1	6.6	65	48
YE3-132S-6	3	4	964	7.2	6.84	6.59	85.6	0.74	29.72	2.0	2.1	6.8	69	65
YE3-132M1-6	4	5.5	964	9.46	8.99	8366	86.8	0.74	39.62	2.0	2.1	6.8	69	73
YE3-132M2-6	5.5	7.5	964	12.7	12	11.6	88.0	0.75	54.48	2.0	2.1	7.0	69	82
YE3-160M-6	7.5	10	973	16.2	15.4	14.8	89.1	0.79	73.60	2.0	2.1	7.0	73	113
YE3-160L-6	11	15	973	23.1	22	21.2	90.3	0.80	108.0	2.0	2.1	7.2	73	134
YE3-180L-6	15	20	973	30.9	29.3	28.2	91.2	0.81	147.2	2.0	2.1	7.3	73	178
YE3-200L1-6	18.5	25	978	37.8	36	34.7	91.7	0.81	180.7	2.0	2.1	7.3	73	226
YE3-200L2-6	22	30	978	44.8	42.5	41	92.2	0.81	214.9	2.0	2.1	7.4	73	243
YE3-225M-6	30	40	982	59.1	56.2	54.1	92.9	0.83	291.7	2.0	2.1	6.9	74	294
YE3-250M-6	37	50	982	71.7	68.1	65.7	93.3	0.84	359.8	2.0	2.1	7.1	76	388
YE3-280S-6	45	60	982	85.8	81.6	78.6	93.7	0.85	437.6	2.0	2.0	7.3	78	495
YE3-280M-6	55	75	982	103.3	98.1	94.6	94.1	0.86	534.8	2.0	2.0	7.3	78	574
YE3-315S-6	75	100	987	143.4	136.2	131.3	94.6	0.84	726.0	2.0	2.0	6.6	83	836
YE3-315M-6	90	120	987	169.5	161	155.2	94.9	0.85	871.2	2.0	2.0	6.7	83	940
YE3-315L1-6	110	150	987	206.8	196.4	189.3	95.1	0.85	1064.8	2.0	2.0	6.7	83	1068
YE3-315L2-6	132	180	987	244.5	232.2	223.8	95.4	0.86	1277.7	2.0	2.0	6.8	83	1140
YE3-355M1-6	160	220	991	295.7	280.9	270.7	95.6	0.86	1541.7	1.8	2.0	6.8	85	1742
YE3-355M2-6	200	270	991	364.6	346.4	333.8	95.8	0.87	1927.1	1.8	2.0	6.8	85	1850
YE3-355L-6	250	340	991	455.7	433	417.3	95.8	0.87	2408.9	1.8	2.0	6.8	85	1960

外形及安装尺寸
OUTLINE AND INSTALLATION DIMENSIONS



机座号80-355

机座号100-132

机座号100-132

机座号80-200

机座号 Frame	级数 Poles	安装尺寸Mounting Dimension									外形尺寸Figure size							
		A	B	C	D	E	F	G	H	K	AA	BB	HA	AB	AC	AD	HD	L
80M	2,4,6	125	100	50	19	40	6	15.5	80	10	32	150	10	165	175	145	230	305
90S	2,4,6	140	100	56	24	50	8	20	90	10	34	185	12	180	195	155	260	360
90L	2,4,6	140	125	56	24	50	8	20	90	10	34	210	12	180	195	155	260	390
100L	2,4,6	160	140	63	28	60	8	24	100	12	39	223	14	205	215	180	280	435
112M	2,4,6	190	140	70	28	60	8	24	112	12	45	230	14	230	240	190	300	470
132S	2,4,6	216	140	89	38	80	10	33	132	12	55	186	18	270	275	210	345	510
132M	2,4,6	216	178	89	38	80	10	33	132	12	55	224	18	270	275	210	345	560
160M	2,4,6	254	210	108	42	110	12	37	160	14.5	65	304	20	320	330	255	420	670
160L	2,4,6	254	254	108	42	110	12	37	160	14.5	65	334	20	320	330	255	420	700
180M	2,4,6	279	241	121	48	110	14	42.5	180	14.5	70	311	22	355	380	280	455	740
180L	2,4,6	279	279	121	48	110	14	42.5	180	14.5	70	349	22	355	380	280	455	790
200L	2,4,6	318	305	133	55	110	16	49	200	18.5	74	379	26	395	420	305	505	790
225S	4	356	286	149	60	140	18	53	225	18.5	78	368	28	435	470	355	560	830
225M	2	356	311	149	55	110	16	49	225	18.5	78	393	28	435	470	355	560	825
	4,6	356	311	149	60	140	18	53	225	18.5	78	393	28	435	470	355	560	855
250M	2	406	349	168	60	140	18	53	250	24	80	445	30	490	510	370	615	915
	4,6	406	349	168	65	140	18	58	250	24	80	445	30	490	510	370	615	915
280S	2	457	368	190	65	140	18	58	280	24	90	485	35	550	580	410	680	985
	4,6	457	368	190	75	140	20	67.5	280	24	90	485	35	550	580	410	680	985
280M	2	457	419	190	65	140	18	58	280	24	90	536	35	550	580	410	680	1035
	4,6	457	419	190	75	140	20	67.5	280	24	90	536	35	550	580	410	680	1035
315S	2	508	406	216	65	140	18	58	315	28	120	570	45	635	645	530	845	1180
	4,6	508	406	216	80	170	22	71	315	28	120	570	45	635	645	530	845	1290
315M	2	508	457	216	65	140	18	58	315	28	120	610	45	635	645	530	845	1320
	4,6	508	457	216	80	170	22	71	315	28	120	610	45	635	645	530	845	1320
315L	2	508	508	216	65	140	18	58	315	28	120	680	45	635	645	530	845	1710
	4,6	508	508	216	80	170	22	71	315	28	120	680	45	635	645	530	845	1320
355M	2	610	560	254	75	140	20	67.5	355	28	130	690	52	730	710	655	1010	1500
	4,6	610	560	254	95	170	25	86	355	28	130	690	52	730	710	655	1010	1530
355L	2	610	630	254	75	140	20	67.5	355	28	130	750	52	730	710	655	1010	1500
	4,6	610	630	254	95	170	25	86	355	28	130	750	52	730	710	655	1010	1530
355I	2	630	800	224	80	170	22	71	355	35	-	-	-	760	770	760	1130	1870
355II	4,6	630	800	224	110	210	28	100	355	35	-	-	-	760	770	760	1130	1920



YE2 高效三相异步电动机 High Efficiency Three-phase Asynchronous Motor



产品概述 PRODUCT OVERVIEW

YE2系列是本公司依据JB/T11707-2013新开发的全封闭自扇风冷式鼠笼型高效率三相异步电动机。该系列电动机的效率指标达到中国GB18613-2012《中小型三相异步电动机能效限定值及能效等级》中的3级能效,符合IEC60034-30标准中的IE2能效等级, YE2系列高效率三相异步电动机可用于驱动风机、泵类等长期负载运行,各项性能指标达到国际先进水平,高效从而达到节能减排的目的。YE2高效率三相异步电动机的安装尺寸、功率等级符合国际电工委员会IEC60072-1标准,中心高H160及以上电机可配装不停机注排油装置,并预留有安装热敏电阻和防潮加热带的空间,方便用户选用。温升按80K考核,电动机温升幅度大,寿命长;转子采用铸铝工艺,运行可靠性高。该系列电动机功率范围:0.75KW-375KW;机座中心高:H80-H355。

YE2 series is a fully enclosed self-fan-cooled squirrel cage three-phase asynchronous motor with high efficiency newly developed by our company according to JB/T11707-2013. The efficiency index of this series motor reaches the three-pole energy efficiency in China GB18613-2012 Energy Efficiency Limitation Value and Energy Efficiency Grade of Small and Medium Three-phase Asynchronous Motor, and meets the IE2 energy efficiency grade of IEC60034-30 standard. YE2 series high efficiency three-phase asynchronous motors can be used to drive fans, pumps and other long-term load operation, each performance index reaches the international advanced level, high efficiency to achieve the purpose of energy saving and emission reduction. YE2 high efficiency three-phase asynchronous motor installation size, power grade in line with the International Electrotechnical Commission IEC60072-1 standard, the central high H160 or above motor can be equipped with non-stop oil injection and discharge device, and reserved for installation of thermistor and moisture-proof heating band space, convenient for users to choose. Temperature rise according to 80K assessment, motor temperature rise margin is large, long life; The rotor is made of cast aluminum technology with high operation reliability. Power range of this series of motors: 0.75KW-375KW; Base center height: H80-H355.

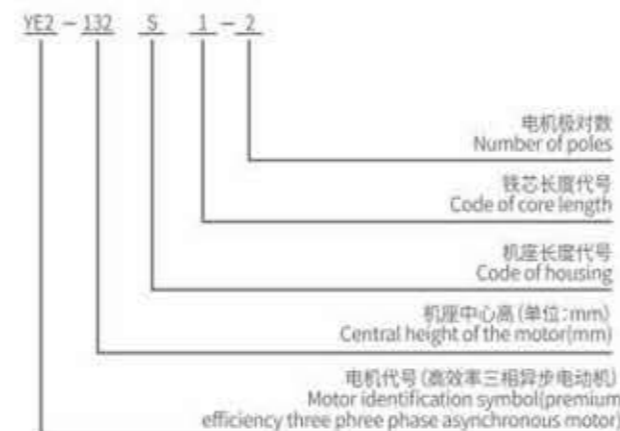
使用条件 OPERATING CONDITIONS

环境温度:-15°C-40°C
海拔:不超过1000米
额定电压:380V, 400V, 415V
额定频率:50Hz, 60Hz
接法:额定功率3kW及以下电机为Y接法
额定功率4kW以上电机为△接法
工作制:连续工作制(S1)
防护等级:IP54/IP55
绝缘等级:B级/F级
冷却方式:IC411

Ambient Temperature:-15°C-40°C
Altitude:Up to 1000 meters
Rated Voltage:380V,400V,415V
Rated Frequency:50Hz-60Hz
Connection:Output≤3kw, 'Y' connection
Output≥4kw, '△' connection
Duty:Continuous(S1)
Ingress Protection:IP54/IP55
Insulation Class:Class B/Class F
Cooling Method:IC411

代号说明 DESIGNATION

电机型号释义/Explanation of type designation



安装方式 (Mounting Arrangements): IMB3, IMB5, IMB6, IMB7, IMB8, IMB14, IMB34, IMB35, IMV1, IMV3, IMV5, IMV6, IMV15, IMV17, IMV18, IMV19, IMV35, IMV37

YE2系列电机技术参数/Technical data-YE2 series motor-2 poles-50Hz

电机型号 Model	额定功率 Rated Output		满载时 Full Load						额定转矩 Rated Torque (Tn)	堵转转矩 额定转矩	最大转矩 额定转矩	堵转电流 额定电流	噪声 Noise	重量 Weight
			转速 Speed	电流 Input Current(amp)			效率 Efficiency	功率因素 Power Factor						
	kW	HP		RPM	380V	400V			415V	η%	cosΦ	N.m	Tst/Tn	Tmax/Tn
YE2-80M1-2	0.75	1	2833	1.8	1.71	1.64	77.4	0.82	2.53	2.3	2.3	6.8	62	15
YE2-80M2-2	1.1	1.5	2833	2.53	2.4	2.32	79.6	0.83	3.71	2.3	2.3	7.1	62	16
YE2-90S-2	1.5	2	2847	3.34	3.17	3.06	81.3	0.84	5.03	2.3	2.3	7.3	67	19
YE2-90L-2	2.2	3	2847	4.73	4.49	4.33	83.2	0.85	7.38	2.3	2.3	7.6	67	23
YE2-100L-2	3	4	2876	6.19	5.88	5.67	84.6	0.87	9.96	2.2	2.3	7.8	74	30
YE2-112M-2	4	5.5	2885	8.05	7.65	7.37	85.8	0.88	13.24	2.2	2.3	8.1	77	39
YE2-132S1-2	5.5	7.5	2904	10.9	10.4	10	87.0	0.88	18.09	2.2	2.3	8.2	79	56
YE2-132S2-2	7.5	10	2904	14.5	13.8	13.3	88.1	0.89	24.66	2.2	2.3	7.8	79	59
YE2-160M1-2	11	15	2933	21	20	19.2	89.4	0.89	35.81	2.2	2.3	7.9	81	100
YE2-160M2-2	15	20	2933	28.4	26.9	26	90.3	0.89	48.84	2.2	2.3	7.9	81	115
YE2-160L-2	18.5	25	2933	34.7	33	31.8	90.9	0.89	60.24	2.2	2.3	8.0	81	135
YE2-180M-2	22	30	2943	41.1	39.1	37.7	91.3	0.89	71.38	2.2	2.3	8.1	83	163
YE2-200L1-2	30	40	2952	55.7	52.9	51	92.0	0.89	97.04	2.0	2.3	7.5	84	219
YE2-200L2-2	37	50	2952	68.3	64.9	62.5	92.5	0.89	119.7	2.0	2.3	7.5	84	242
YE2-225M-2	45	60	2962	82.7	78.6	75.7	92.9	0.89	145.1	2.2	2.3	7.5	86	291
YE2-250M-2	55	75	2967	100.7	95.7	92.2	93.2	0.89	177.0	2.2	2.3	7.6	89	387
YE2-280S-2	75	100	2971	136.5	129.7	125	93.8	0.89	241.1	1.8	2.3	6.9	91	501
YE2-280M-2	90	120	2971	163.3	155.1	149.5	94.1	0.89	289.3	1.8	2.3	6.9	91	528
YE2-315S-2	110	150	2976	196.9	187.1	180.3	94.3	0.90	353.0	1.8	2.2	7.0	92	958
YE2-315M-2	132	180	2976	235.6	223.8	215.7	94.6	0.90	423.5	1.8	2.2	7.0	92	1133
YE2-315L1-2	160	220	2976	281.8	267.7	258	94.8	0.91	513.4	1.8	2.2	7.1	92	1225
YE2-315L2-2	200	270	2978	351.5	333.0	321.9	95.0	0.91	641.7	1.8	2.2	7.1	92	1290
YE2-355M-2	250	340	2981	439.4	417.4	402.3	95.0	0.91	800.8	1.6	2.2	7.1	100	1840
YE2-355L-2	315	430	2981	553.6	525.9	506.9	95.0	0.91	1009.0	1.6	2.2	7.2	100	1930

YE2系列电机技术参数/Technical data-YE2 series motor-4 poles-50Hz

YE2-80M2-4	0.75	1	1395	1.88	1.79	1.72	79.6	0.76	5.13	2.3	2.3	6.4	56	16
YE2-90S-4	1.1	1.5	1404	2.67	2.53	2.44	81.4	0.77	7.48	2.3	2.3	6.6	59	18
YE2-90L-4	1.5	2	1404	3.53	3.35	3.23	82.8	0.78	10.20	2.3	2.3	6.7	59	22
YE2-100L1-4	2.2	3	1424	4.96	4.71	4.54	84.3	0.80	14.75	2.3	2.3	7.3	64	28
YE2-100L2-4	3	4	1424	6.58	6.25	6.03	85.5	0.81	20.12	2.3	2.3	7.5	64	33
YE2-112M-4	4	5.5	1443	8.66	8.23	7.93	86.6	0.81	26.47	2.3	2.3	7.5	65	43
YE2-132S-4	5.5	7.5	1443	11.6	11	10.6	87.7	0.82	36.40	2.0	2.3	7.5	71	59
YE2-132M-4	7.5	10	1443	15.5	14.7	14.2	88.7	0.83	49.63	2.0	2.3	7.3	71	70
YE2-160M-4	11	15	1462	22.4	21.3	20.5	89.8	0.83	71.85	2.0	2.3	7.4	73	109
YE2-160L-4	15	20	1462	29.9	28.4	27.4	90.6	0.84	97.97	2.0	2.3	7.5	73	130
YE2-180M-4	18.5	25	1467	36.3	34.4	33.2	91.2	0.85	120.4	2.0	2.3	7.6	76	162



YE2系列电机技术参数/Technical data-YE2 series motor-4 poles-50Hz

Table with 15 columns: Model, Rated Output (kW, HP), Speed (RPM), Full Load Current (380V, 400V, 415V), Efficiency (η%), Power Factor (cosΦ), Rated Torque (N.m), Starting Torque (Tst/Tn), Maximum Torque (Tmax/Tn), Starting Current (Ist/In), Noise (dB(A)), Weight (Kg).

YE2系列电机技术参数/Technical data-YE2 series motor-6 poles-50Hz

Table with 15 columns: Model, Rated Output (kW, HP), Speed (RPM), Full Load Current (380V, 400V, 415V), Efficiency (η%), Power Factor (cosΦ), Rated Torque (N.m), Starting Torque (Tst/Tn), Maximum Torque (Tmax/Tn), Starting Current (Ist/In), Noise (dB(A)), Weight (Kg).

B3外形及安装尺寸 OUTLINE AND INSTALLATION DIMENSIONS

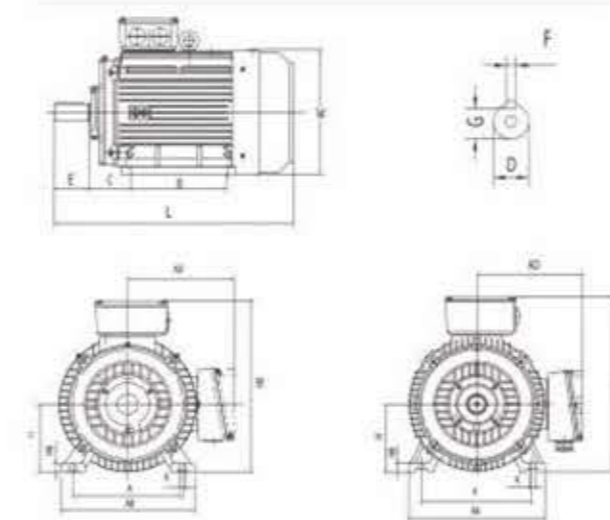


Table of mounting dimensions for B3 motor, columns include Model, Poles, and dimensions A through HD.

B5外形及安装尺寸 OUTLINE AND INSTALLATION DIMENSIONS

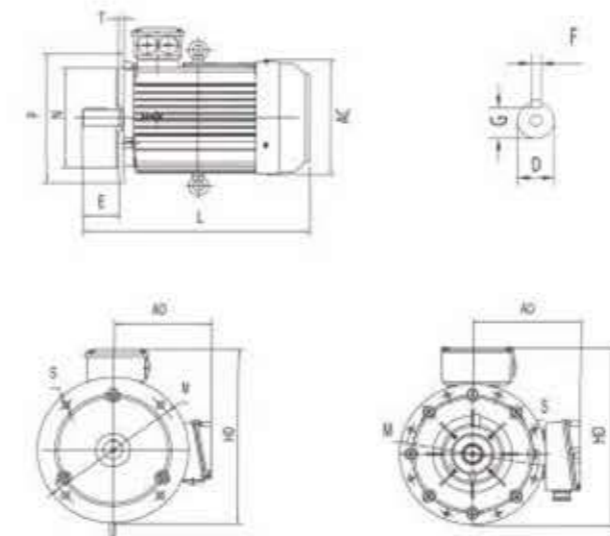


Table of mounting dimensions for B5 motor, columns include Model, Poles, and dimensions D through HC.



YBX3 高效隔爆型三相异步电动机

High Efficiency Flameproof Three Phase Asynchronous Motor



产品概述 PRODUCT OVERVIEW

YBX3系列隔爆型三相异步电动机是我公司在参考行业统一设计基础上研制开发的全封闭、自扇冷、鼠笼式、隔爆型三相异步电动机的基本系列。效率执行GB18613-2012《中小型三相异步电动机能效限定值及能效等级》中的能效限定值标准，效率达到国家2级能效，且具有性能优良，使用安全可靠，振动、噪声比同类产品小的特点，符合环保要求。YBX3系列电机防爆性能符合GB3836.1-2010《爆炸性环境第1部分：设备通用要求》和GB3836.2-2010《爆炸性环境第2部分：由隔爆外壳“D”保护的设备的》规定，制成隔爆型。YBX3系列电机防爆标志分为：EXDL, EXDIIAT4和ExdII AT4, 其中Exd II适用于有甲烷或煤尘爆炸性气体混合物存在的煤矿工作面环境；EXD II AT4和EXD IIBT4适用于工厂用“类A级、B级、温度组别为T1、T2、T3和T4组的爆炸性气体混合物存在的环境。

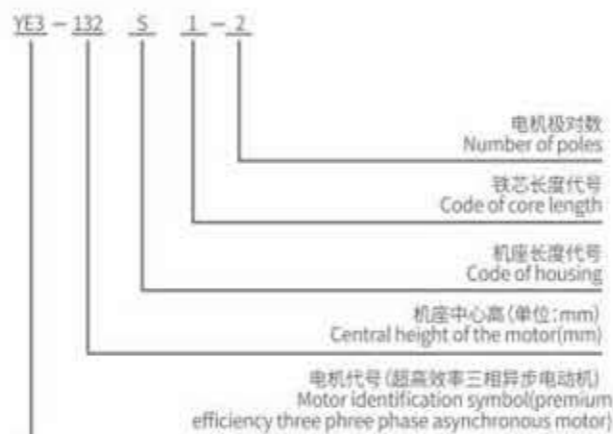
使用条件 OPERATING CONDITIONS

环境温度: -15°C~40°C
海拔: 不超过1000米
额定电压: 380V, 600V, 1140V, 380/660V/660/1140V
额定频率: 50Hz, 60Hz
接法: 额定功率3KW及以下电机为Y接法
额定功率4KW及以上电机为△接法
工作制: 连续工作制(S1)
防护等级: IP55
防爆等级: ExdII BT4
绝缘等级: F级
冷却方式: IC411

Ambient Temperature: -15°C~40°C
Altitude: Up to 1000 meters
Rated Voltage: 380V, 600V, 1140V, 380/660V/660/1140V
Rated Frequency: 50Hz, 60Hz
Connection: Output ≤ 3kW, "Y" connection
Output ≥ 4kW, "Δ" connection;
Duty: Continuous(S1)
Ingress Protection: IP 55
Explosion-proof grade: ExdII BT4
Insulation Class: Class F
Cooling Method: IC411

代号说明 DESIGNATION

电机型号释义/Explanation of type designation



安装方式 (Mounting Arrangements): IMB3, IMB5, IMB6, IMB7, IMB8, IMB14, IMB34, IMB35, IMV1, IMV3, IMV5, IMV6, IMV15, IMV17, IMV18, IMV19, IMV35, IMV37

YBX3系列电机技术参数/Technical data—YBX3 series motor— 2 Poles—50Hz

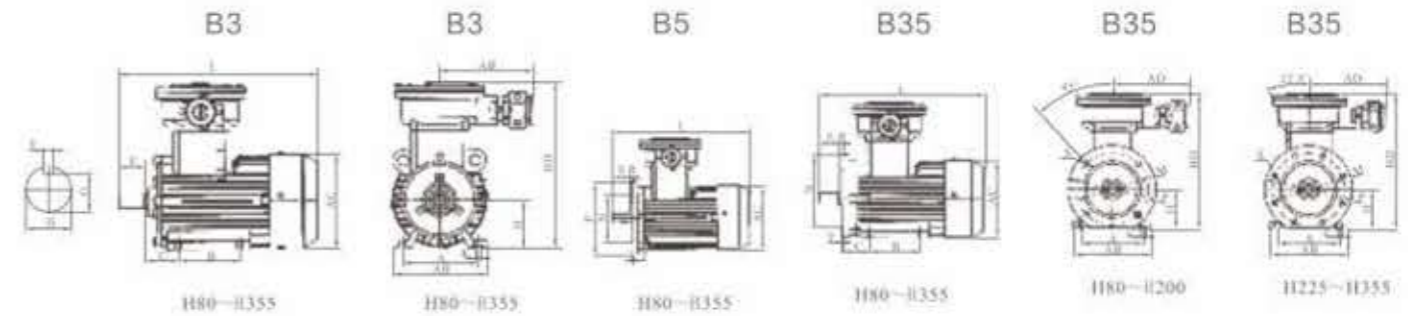
电机型号 Model	额定功率 Rated Output	满载时 Full Load					额定转矩 Rated Torque (Tn)	堵转转矩 堵转转矩 Tst/Tn	最大转矩 最大转矩 Tmax/Tn	堵转电流 堵转电流 Ist/In	空载时 No Load		
		转速 Speed RPM	电流 Input Current(amp)		效率 Efficiency η%	功率因素 Power Factor cosΦ					噪声 Noise dB(A)	振动 Vibration mm/s	重量 Weight Kg
			380V	660V									
YBX3-80M1-2	0.75	2845	1.72	/	80.7	0.82	2.52	2.3	2.3	7.0	62	1.6	27
YBX3-80M2-2	1.1	2845	2.43	/	82.7	0.83	3.69	2.2	2.3	7.3	62	1.6	28
YBX3-90S-2	1.5	2855	3.22	/	84.2	0.84	5.05	2.2	2.3	7.6	67	1.6	30
YBX3-90L-2	2.2	2855	4.58	/	85.9	0.85	7.36	2.2	2.3	7.6	67	1.6	36
YBX3-100L-2	3	2885	6.02	/	87.1	0.87	9.93	2.2	2.3	7.8	74	1.6	44
YBX3-112M-2	4	2890	7.84	4.51	88.1	0.88	13.22	2.2	2.3	8.3	77	1.6	58
YBX3-132S1-2	5.5	2910	10.6	6.13	89.2	0.88	18.05	2.0	2.3	8.3	79	1.6	85
YBX3-132S2-2	7.5	2910	14.4	8.27	90.1	0.88	24.61	2.0	2.3	7.9	79	1.6	88
YBX3-160M1-2	11	2935	20.6	11.86	91.2	0.89	35.79	2.0	2.3	8.1	81	2.2	138
YBX3-160M2-2	15	2935	27.9	16.04	91.9	0.89	48.80	2.0	2.3	8.1	81	2.2	149
YBX3-160L-2	18.5	2935	34.2	19.68	92.4	0.89	60.19	2.0	2.3	8.2	81	2.2	170
YBX3-180M-2	22	3456	40.5	23.33	92.7	0.89	71.33	2.0	2.3	8.2	83	2.2	210
YBX3-200L1-2	30	2955	54.9	31.61	93.3	0.89	96.94	2.0	2.3	7.6	84	2.2	263
YBX3-200L2-2	37	2955	67.4	38.81	93.7	0.89	119.6	2.0	2.3	7.6	84	2.2	290
YBX3-225M-2	45	2960	80.8	46.53	94.0	0.90	145.2	2.0	2.3	7.7	86	2.2	347
YBX3-250M-2	55	2965	98.5	56.69	94.3	0.90	177.1	2.0	2.3	7.7	89	2.2	452
YBX3-280S-2	75	2970	133.7	76.98	94.7	0.90	241.1	1.8	2.3	7.1	91	2.2	588
YBX3-280M-2	90	2970	159.9	92.08	95.0	0.90	289.4	1.8	2.3	7.1	91	2.8	630
YBX3-315S-2	110	2975	195.9	112.3	95.2	0.90	353.1	1.8	2.3	7.1	92	2.8	1050
YBX3-315M-2	132	2975	233.6	134.5	95.4	0.90	432.7	1.8	2.3	7.1	92	2.8	1260
YBX3-315L1-2	160	2975	279.4	160.9	95.6	0.91	513.6	1.8	2.3	7.2	92	2.8	1365
YBX3-315L2-2	200	2975	348.6	200.7	95.8	0.91	641.9	1.8	2.3	7.2	92	2.8	1395
YBX3-355M-2	250	2980	435.7	250.9	95.8	0.91	801.1	1.6	2.2	7.2	100	2.8	2100
YBX3-355L-2	315	2980	549	316.1	95.8	0.91	1009.4	1.6	2.2	7.2	100	2.8	2200

YBX3系列电机技术参数/Technical data—YBX3 series motor— 4 Poles—50Hz

YBX3-80M2-4	0.75	1400	1.84	/	82.5	0.75	5.12	2.3	2.3	6.6	56	1.6	28
YBX3-90S-4	1.1	1410	2.61	/	84.1	0.76	7.45	2.3	2.3	6.8	59	1.6	30
YBX3-90L-4	1.5	1410	3.47	/	85.3	0.77	10.16	2.3	2.3	7.0	59	1.6	37
YBX3-100L1-4	2.2	1430	4.76	/	86.7	0.81	14.69	2.3	2.3	7.6	64	1.6	43
YBX3-100L2-4	3	1430	6.34	/	87.7	0.82	20.03	2.3	2.3	7.6	64	1.6	46
YBX3-112M-4	4	1445	8.37	4.82	88.6	0.82	26.43	2.2	2.3	7.8	65	1.6	68
YBX3-132S-4	5.5	1445	11.2	6.47	89.6	0.83	36.35	2.0	2.3	7.9	71	1.6	85
YBX3-132M-4	7.5	1445	15.0	8.64	90.4	0.84	49.56	2.0	2.3	7.5	71	1.6	103
YBX3-160M-4	11	1465	21.5	12.39	91.4	0.85	71.70	2.2	2.3	7.7	73	2.2	139
YBX3-160L-4	15	1465	28.8	16.57	92.1	0.86	97.77	2.2	2.3	7.8	73	2.2	155
YBX3-180M-4	18.5	1470	5.3	20.32	92.6	0.86	120.2	2.0	2.3	7.8	76	2.2	206
YBX3-180L-4	22	1470	41.8	24.06	93.0	0.86	142.9	2.0	2.3	7.8	76	2.2	226



B5外形及安装尺寸
OUTLINE AND INSTALLATION DIMENSIONS



YBX3系列电机技术参数/Technical data—YBX3 series motor— 4 Poles—50Hz

电机型号 Model	额定功率 Rated Output KW	满载时 Full Load					额定转矩 Rated Torque (Tn) N.m	堵转转矩 堵转转矩 Tst/Tn	最大转矩 最大转矩 Tmax/Tn	堵转电流 堵转电流 Ist/In	空载时 No Load		
		转速 Speed RPM	电流 Input Current(amp)		效率 Efficiency η%	功率因素 Power Factor cosΦ					噪声 Noise dB(A)	振动 Vibration mm/s	重量 Weight Kg
			380V	660V									
YBX3-200L-4	30	1475	56.6	32.60	93.6	0.86	194.2	2.0	2.3	7.3	76	2.2	307
YBX3-225S-4	7	1480	69.6	40.08	93.9	0.86	238.7	2.0	2.3	7.4	78	2.2	347
YBX3-225M-4	45	1480	84.4	48.59	94.2	0.86	290.3	2.0	2.3	7.4	78	2.2	382
YBX3-250M-4	55	1480	102.7	59.14	94.6	0.86	354.9	2.2	2.3	7.4	79	2.2	467
YBX3-280S-4	75	1485	136.3	78.48	95.0	0.88	482.3	2.0	2.3	6.9	80	2.2	630
YBX3-280M-4	90	1485	163.2	93.98	95.2	0.88	578.7	2.0	2.3	6.9	80	2.2	99
YBX3-315S-4	110	1485	196.8	113.3	95.4	0.89	707.3	2.0	2.2	7.0	88	2.8	1040
YBX3-315M-4	132	1485	235.7	135.7	95.6	0.89	848.8	2.0	2.2	7.0	88	2.8	1155
YBX3-315L1-4	160	1485	285.1	164.2	95.8	0.89	1028.8	2.0	2.2	7.1	88	2.8	1236
YBX3-315L2-4	200	1485	354.7	202.5	96.0	0.90	1286.1	2.0	2.2	7.1	88	2.8	1313
YBX3-355M-4	250	1490	439.6	253.1	96.0	0.90	1602.2	2.0	2.2	7.1	95	2.8	1995
YBX3-315L-4	315	1490	553.9	318.9	96.0	0.90	2018.7	2.0	2.2	7.1	95	2.8	2205

YBX3系列电机技术参数/Technical data—YBX3 series motor— 6 Poles—50Hz

YBX3-90S-6	0.75	920	2.03	/	78.9	0.71	7.78	2.0	2.1	6.0	57	1.6	33
YBX3-90L-6	1.1	920	2.83	/	81.0	0.73	11.42	2.0	2.1	6.0	57	1.6	37
YBX3-100S-6	1.5	935	3.78	/	82.5	0.73	15.32	2.0	2.1	6.5	61	1.6	43
YBX3-112M-6	2.2	945	5.36	/	84.3	0.74	22.23	2.2	2.1	6.6	65	1.6	65
YBX3-132S-6	3	965	7.20	/	85.6	0.74	29.69	2.0	2.1	6.8	69	1.6	79
YBX3-132M1-6	4	965	9.46	5.45	86.8	0.74	39.58	2.0	2.1	6.8	69	1.6	93
YBX3-132M2-6	5.5	965	12.7	7.329	88.0	0.75	54.42	2.0	2.1	7.0	69	1.6	105
YBX3-160M-6	7.5	975	16.2	9.32	89.1	0.79	73.45	2.0	2.1	7.0	73	2.2	130
YBX3-160L-6	11	975	23.1	13.32	90.3	0.80	107.7	2.0	2.1	7.2	73	2.2	158
YBX3-180L-6	15	975	30.9	17.76	91.2	0.81	146.9	2.0	2.1	7.3	73	2.2	218
YBX3-200L1-6	18.5	975	37.8	21.79	91.7	0.81	181.2	2.0	2.1	7.3	73	2.2	273
YBX3-200L2-6	22	975	44.8	25.77	92.7	0.81	215.5	2.0	2.1	7.4	73	2.2	289
YBX3-225M-6	30	980	59.1	34.04	92.9	0.83	292.3	2.0	2.1	6.9	74	2.2	347
YBX3-250M-6	37	980	71.7	41.30	93.3	0.84	360.5	2.0	2.1	7.1	76	2.2	452
YBX3-280S-6	45	980	85.8	49.43	93.7	0.85	438.5	2.0	2.0	1.3	78	2.2	586
YBX3-280M-6	55	980	103.3	59.45	94.1	0.86	535.9	2.0	2.0	7.3	78	2.8	630
YBX3-315S-6	75	985	143.4	82.57	94.6	0.84	727.1	2.0	2.0	6.6	78	2.8	982
YBX3-315M-6	90	985	169.5	97.60	94.9	0.85	872.5	2.0	2.0	6.7	83	2.8	1109
YBX3-315L1-6	110	985	206.8	119.0	95.1	0.85	1066.4	2.0	2.0	6.7	83	2.8	1224
YBX3-315L2-6	132	985	244.5	140.7	95.4	0.86	1279.7	2.0	2.0	6.8	83	2.8	1294
YBX3-355M1-6	160	990	295.7	170.2	95.6	0.86	1453.3	1.8	2.0	6.8	85	2.8	1940
YBX3-355M2-6	200	990	364.6	209.9	95.8	0.87	1929.1	1.8	2.0	6.8	85	2.8	2056
YBX3-355L-6	250	990	455.7	262.4	95.8	0.87	2411.4	1.8	2.0	6.8	85	2.8	2252

机座号 Frame	极数 Poles	安装尺寸 Mounting Dimension														法兰 孔数	YBX3/YBVP2/YBD2				
		A	B	C	D	E	F	G	H	K	M	N	P	R	S		T	AB	AC	AD	HD
80M	2,4,6,8	125	100	50	19	40	8	15.5	80	10	165	130	200	0	12	3.5	4	165	165	180	320
90S	2,4,6,8	140	100	56	24	50	8	20	90	10	165	130	200	0	12	3.5	4	180	180	180	350
90L	2,4,6,8	140	125	56	24	50	8	20	90	10	165	130	200	0	12	3.5	4	180	180	180	350
100L	2,4,6,8	160	140	63	28	60	8	24	100	12	215	180	250	0	14.5	4	4	200	205	180	400
112M	2,4,6,8	190	140	70	28	60	8	24	112	12	215	180	250	0	14.5	4	4	245	230	200	420
132S	2,4,6,8	216	140	89	38	80	10	33	132	12	265	230	300	0	14.5	4	4	280	270	200	450
132M	2,4,6,8	216	178	89	38	80	10	33	132	12	265	230	300	0	14.5	4	4	280	270	200	450
160M	2,4,6,8	254	210	108	42	110	12	37	160	14.5	300	250	350	0	18.5	5	4	330	325	220	520
160L	2,4,6,8	254	254	108	42	110	12	37	160	14.5	300	250	350	0	18.5	5	4	330	325	220	520
180M	2,4,6,8	279	241	121	48	110	14	42.5	180	14.5	300	250	350	0	18.5	5	4	355	360	220	550
180L	2,4,6,8	279	279	121	48	110	14	42.5	180	14.5	300	250	350	0	18.5	5	4	355	360	220	550
200L	2,4,6,8	318	305	133	55	110	16	49	200	18.5	350	300	400	0	18.5	5	4	390	400	250	645
225S	4,8	356	286	149	60	140	18	53	225	18.5	400	350	450	0	18.5	5	8	435	450	250	690
225M	2	356	311	149	55	110	16	49	225	18.5	400	350	450	0	18.5	5	8	435	450	250	690
	4,6,8	356	311	149	60	140	18	53	225	18.5	400	350	450	0	18.5	5	8	435	450	250	690
250M	2	406	349	168	60	140	18	53	250	24	500	450	550	0	18.5	5	8	490	500	300	730
	4,6,8	406	349	168	65	140	18	58	250	24	500	450	550	0	18.5	5	8	490	500	300	730
280S	2	457	368	190	65	140	18	58	280	24	500	450	550	0	18.5	5	8	545	565	300	810
	4,6,8	457	368	190	75	140	20	67.5	280	24	500	450	550	0	18.5	5	8	545	565	300	810
280M	2	457	419	190	65	140	18	58	280	24	500	450	550	0	18.5	5	8	545	565	300	810
	4,6,8	457	419	190	75	140	20	67.5	280	24	500	450	550	0	18.5	5	8	545	565	300	810
315S	2	508	406	216	65	140	18	58	315	28	600	550	660	0	24	6	8	640	630	400	1020
	4,6,8	508	406	216	80	170	22	71	315	28	600	550	660	0	24	6	8	640	630	400	1020
315M	2	508	457	216	65	140	18	58	315	28	600	550	660	0	24	6	8	640	630	400	1020
	4,6,8	508	457	216	80	170	22	71	315	28	600	550	660	0	24	6	8	640	630	400	1020
315L	2	508	508	216	65	140	18	58	315	28	600	550	660	0	24	6	8	640	630	400	1020
	4,6,8	508	508	216	80	170	22	71	315	28	600	550	660	0	24	6	8	640	630	400	1020
355S	2	610	500	254	75	140	20	67.5	355	28	740	680	800	0	24	6	8	740	750	500	1080
	4,6,8	610	500	254	95	170	25	86	355	28	740	680	800	0	24	6	8	740	750	500	1080
355M	2	610	560	254	75	140	20	67.5	355	28	740	680	800	0	24	6	8	740	750	500	1080
	4,6,8	610	560	254	95	170	25	86	355	28	740	680	800	0	24	6	8	740	750	500	1080
355L	2	610	630	254	75	140	20	67.5	355	28	740	680	800	0	24	6	8	740	750	500	1080
	4,6,8	610	630	254	95	170	25	86	355	28	740	680	800	0	24	6	8	740	750	500	1080



YL 双值电容单相异步电动机
Double-value Capacitor Single-phase Asynchronous Motor



产品概述 PRODUCT OVERVIEW

YL系列单相双值电容异步电动机是按照国家标准设计和制造的，具有低噪音，结构紧凑，重量轻，维修方便等特点。这些电机广泛应用于空气压缩机，水泵，风机，减速机，食品机械，小型机械等，特别是对只能提供单相电源的场所非常适用。

YL series single-phase double-value capacitor asynchronous motors are designed and manufactured according to national standards. They are characterized by low noise, compact structure, light weight and easy maintenance. These motors are widely used in air compressors, pumps, fans, reducers, food machinery, small machinery, etc., especially for places where only single power supply can be provided.

使用条件 CONDITIONS OF USE

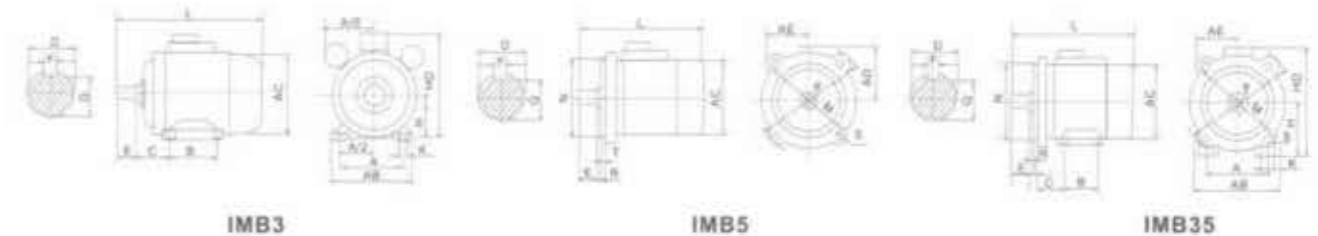
环境温度: -15°C<0<40°C
海拔: 不超过1000m
额定电压: 220V
额定频率: 50Hz, 60Hz
防护等级: IP44, IP54
绝缘等级: B级, F级
冷却方式: ICO141
工作方式: 连续S1

Ambient temperature: -15°C ≤ 0 ≤ 40°C
Altitude: no exceeding 1000m
Rated voltage: 220V
Rated Frequency: 50Hz, 60Hz
Protection Level: IP44, IP54
Insulation Class: Class B, Class F
Cooling mode: ICO141
Working mode: continuous S1

技术参数 Technical Data

型号 Type	功率Output		电压 Voltage (V)	频率 Frequency (Hz)	电流 Current (A)	转速 Speed (r/min)	效率 η (%)	功率因数 Power factor	堵转转矩 Tst/Tn	堵转电流 Ist/In	最大转矩 Tmax/Tn
	kW	HP									
YL7112	0.37	0.5	220	50	2.74	2800	76	0.92	1.8	6.0	1.8
YL7122	0.55	0.75	220	50	3.88	2800	77	0.92	1.8	6.0	1.8
YL7114	0.25	0.33	220	50	1.99	1400	73	0.92	1.8	6.0	1.8
YL7124	0.37	0.5	220	50	2.81	1400	75	0.92	1.8	6.0	1.8
YL8012	0.75	1	220	50	5.15	2800	78	0.92	1.8	6.0	1.8
YL8022	1.1	1.5	220	50	7.02	2800	76	0.95	1.8	6.0	1.8
YL8014	0.55	0.75	220	50	4.0	1400	77	0.92	1.8	6.0	1.8
YL8024	0.75	1	220	50	5.22	1400	80	0.92	1.8	6.0	1.8
YL90S-2	1.5	2	220	50	9.4	2800	76	0.95	1.8	6.0	1.8
YL90L-2	2.2	3	220	50	13.7	2800	77	0.95	1.8	6.0	1.8
YL90S-4	1.1	1.5	220	50	7.21	1400	78	0.95	1.8	6.0	1.8
YL90L-4	1.5	2	220	50	9.57	1400	77	0.95	1.8	6.0	1.8
YL100L-2	3	4	220	50	18.4	2820	78	0.95	1.8	6.0	1.8
YL100L1-4	2.2	3	220	50	13.9	1410	81	0.95	1.8	6.0	1.8
YL100L2-4	3	4	220	50	18.6	1420	80	0.95	1.8	6.0	1.8
YL112M-2	3.7	5	220	50	22.2	2820	82	0.95	1.8	6.0	1.8
YL112M-4	2.2	3	220	50	13.9	1410	81	0.95	1.8	6.0	1.8
YL112M1-4	3	4	220	50	18.17	1420	82	0.95	1.8	6.0	1.8
YL112M2-4	3.7	5	220	50	23	1430	80	0.95	1.8	6.0	1.8
YL132S1-4	3	4	220	50	18.17	1420	81	0.95	1.8	6.0	1.8
YL132S2-4	3.7	5	220	50	23	1430	82	0.95	1.8	6.0	1.8
YL132M-4	5.5	7.5	220	50	32.5	1430	82	0.95	1.8	6.0	1.8

外形及安装尺寸
OUTLINE AND INSTALLATION DIMENSIONS



Frame No.	Mounting Dimensions(mm)															Overall Dimension(mm)				
	A	B	C	D	E	F	G	H	K	M	N	P	R	S	T	AB	AC	AD	HD	L
71	112	90	45	14	30	5	11	71	7	130	110	160	0	10	3.5	145	145	140	180	255
80	125	100	50	19	40	6	15.5	80	10	165	130	200	0	12	3.5	160	165	150	200	295
90S	140	100	56	24	50	8	20	90	10	165	130	200	0	12	3.5	180	185	160	240	370
90L	140	125	56	24	50	8	20	90	10	165	130	200	0	12	3.5	180	185	160	240	400
100L	150	125	63	28	60	8	24	100	12	215	180	250	0	15	4.0	205	220	180	260	430
112M	190	140	70	28	60	8	24	112	12	215	180	250	0	15	4.0	245	250	190	300	455
132S	216	140	89	38	80	10	33	132	12	265	230	300	0	15	4.0	280	262	210	350	525
132M	216	178	89	38	80	10	33	132	12	265	230	300	0	15	4.0	280	262	210	350	553



YE2 高效铝壳异步电动机

High Efficiency Aluminum Case Induction Motor



产品概述 PRODUCT OVERVIEW

YE2系列铝壳三相异步电动机是Y2系列铝壳三相异步电动机的改进型产品,采用了铝合金压铸机座、端盖、接线盒,以及可拆卸式底座,其安装尺寸与功率等级和YE2系列或Y2系列电机保持一致。YE2系列铝壳三相异步电动机有如下优点:高效节能、启动转矩大、噪音低、结构合理、运行可靠、安装使用方便同时具有更加光洁的外观、更好的散热性能以及更轻的重量。YE2系列铝壳三相异步电动机使用条件同Y2系列电机,并按我国国家标准GB18613-2012规定的3级能效制造,等同于国际电工委员会IE2高效标准。本公司同时可提供II级能效的YE3系列铝壳电机。

YE2 Series Aluminium Shelled Three-phase Asynchronous Motor is an improved product of Y2 Series Aluminium Shelled Three-phase Asynchronous Motor, which adopts aluminum alloy die-casting base, end cover, junction box, and detachable foot. Its mounting size and power grade are the same as YE2 Series or Y2 Series motors. YE2 series aluminum shell three-phase asynchronous motors have the following advantages: high efficiency and energy saving, high starting torque, low noise, reasonable structure, reliable operation, easy to install and use, and have a brighter appearance, better heat dissipation performance and lighter weight. YE2 series aluminum shell three-phase asynchronous motors have the same operating conditions as Y2 series motors, and are manufactured in accordance with the national standard GB18613-2012 of Grade 3 energy efficiency, which is equivalent to the International Electrotechnical Commission IE2 efficiency standard. At the same time the company can provide a level II energy efficiency YE3 series aluminum shell motor efficiency.

使用条件 OPERATING CONDITIONS

环境温度: -15°C~40°C

海拔: 不超过1000米

额定电压: 380V, 400V, 415V

额定频率: 50Hz, 60Hz

接法: 额定功率3KWE及以下电机为Y接法

额定功率4KW及以上电机为△接法

工作制: 连续工作制(S1)

防护等级: IP54/IP55

绝缘等级: B级/F级

冷却方式: IC411

Ambient temperature: -15°C~40°C

Haiba: Not more than a thousand meters

Rated voltage: 380V, 400V, 415V

Rated frequency: 50Hz, 60Hz

Connection method: Y-connection method is used for motors with rated power of 3KWE and below

The rated power of 4KW and above is △ connection method

Work system: continuous work system (S1)

Protection grade: IP54/IP55

Insulation grade: B / F

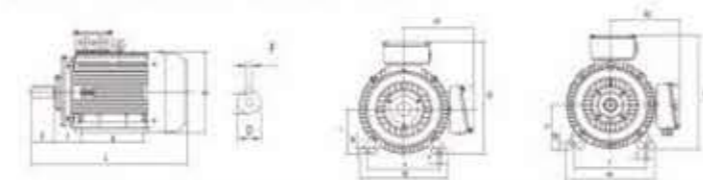
Cooling method: IC411

YE2系列电机技术参数/Technical data—YEJ series motor— 4 Poles—380V/50Hz

电机型号 Model	额定功率 Rated Output		满载时 Full Load				额定转矩 Rated Torque (Tn)	堵转转矩 堵转转矩 额定转矩	最大转矩 Tmax/Tn	堵转电流 堵转电流 额定电流	静制动转矩 Static braking torque	空载制动 时间不大于 Max.braking time at no-load	制动率 功率 Brake Power
			转速 Speed	电流 Input Current	效率 Efficiency	功率因素 Power Factor							
	kW	HP	RPM	Amp	η%	cosΦ	N.m	Tst/Tn	Tmax/Tn	Ist/In	N.m	S	W
YE2-80M1-2	0.75	2825	1.80	1.71	1.64	77.4	0.83	2.53	2.2	2.3	6.1	67	8.5
YE2-80M2-2	1.1	2825	2.53	2.40	2.32	79.6	0.84	3.71	2.2	2.3	7.0	67	9.5
YE2-90S-2	1.5	2840	3.34	3.17	3.06	81.3	0.84	5.03	2.2	2.3	7.0	72	12
YE2-90L-2	2.2	2840	4.73	4.49	4.33	83.2	0.85	7.38	2.2	2.3	7.0	72	16
YE2-100L-2	3	2870	6.19	5.88	5.67	84.6	0.87	9.96	2.2	2.3	7.5	76	20
YE2-112M-2	4	2880	8.05	7.65	7.37	85.8	0.88	13.24	2.2	2.3	7.5	77	23
YE2-132S1-2	5.5	2900	10.9	10.4	10.0	87.0	0.88	18.09	2.2	2.3	7.5	80	37
YE2-132S2-2	7.5	2900	14.5	13.8	13.3	88.1	0.88	24.66	2.2	2.3	7.5	80	40
YE2-80M2-4	0.75	1390	1.88	1.79	1.72	79.6	0.76	5.13	2.3	2.3	6.0	58	9
YE2-90S-4	1.1	1400	2.67	2.53	2.44	81.4	0.77	7.48	2.3	2.3	6.0	61	12
YE2-90L-4	1.5	1400	3.53	3.35	3.23	82.8	0.78	10.20	2.3	2.3	6.0	61	15
YE2-100L1-4	2.2	1420	4.96	4.71	4.54	84.3	0.80	14.75	2.3	2.3	7.0	64	19
YE2-100L2-4	3	1440	6.58	6.25	6.03	85.5	0.81	20.12	2.3	2.3	7.0	64	22
YE2-112M-4	4	1440	8.66	8.23	7.93	86.6	0.81	28.47	2.3	2.3	7.0	65	29
YE2-132S-4	5.5	800	11.6	11	10.6	87.7	0.82	38.40	2.3	2.3	7.0	71	38
YE2-71M1-6	0.18	860	0.74	0.70	0.68	56.0	0.66	2.00	1.9	2.0	4.0	52	6
YE2-71M2-6	0.25	900	0.95	0.90	0.87	59.0	0.68	2.78	1.9	2.0	4.0	52	6.5
YE2-80M1-6	0.37	900	1.30	1.23	1.19	62.0	0.70	3.93	1.9	2.0	4.7	54	9
YE2-80M2-6	0.55	910	1.79	1.70	1.64	65.0	0.72	5.84	1.9	2.1	4.7	54	10
YE2-90S-6	0.75	910	2.11	2.01	1.94	75.9	0.72	7.84	2.0	2.1	5.5	57	12
YE2-90L-6	1.1	930	2.97	2.82	2.72	78.1	0.73	11.49	2.0	2.1	5.5	57	16
YE2-100L-6	1.5	940	3.97	3.77	3.63	79.8	0.75	15.35	2.0	2.1	5.5	61	18
YE2-112M-6	2.2	960	5.68	5.39	5.20	81.8	0.76	22.28	2.0	2.1	6.5	65	23
YE2-132S-6	3		7.60	7.22	6.96	83.3	0.76	29.78	2.1	2.1	6.5	69	33

B3外形及安装尺寸

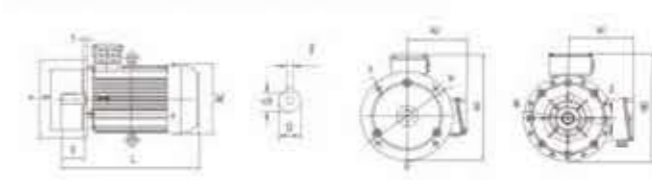
OUTLINE AND INSTALLATION DIMENSIONS



型号 Model	极数 Poles	安装尺寸 Mounting Dimension														
		A	B	C	D	E	F	G	H	K	L	AB	AC	AD	HA	HD
80	2,4,6,8	125	100	50	19	40	6	15.5	80	10	306	163	175	140	10	220
90S	2,4,6,8	140	110	56	24	50	8	20	90	10	395	180	195	150	12.5	265
90L	2,4,6,8	140	125	56	24	50	8	20	90	10	425	180	195	150	12.5	265
100L	2,4,6,8	160	140	63	28	60	8	24	100	12	435	205	215	160	14	275
112M	2,4,6,8	190	140	70	28	60	8	24	122	12	475	230	240	185	14	310
132S	2,4,6,8	216	140	85	36	80	10	33	132	12	535	270	275	205	16	365
132M	2,4,6,8	216	178	85	36	80	10	33	152	12	590	270	275	205	16	365

B5外形及安装尺寸

OUTLINE AND INSTALLATION DIMENSIONS



型号 Model	极数 Poles	安装尺寸 Mounting Dimension													
		D	E	F	G	L	M	N	P	S	T	AC	AD	HC	
80	2,4,6,8	19	40	6	15.5	301	160	130	200	12	3.5	175	140	228	
90S	2,4,6,8	24	50	8	20	380	165	130	200	12	3.5	195	150	268	
90L	2,4,6,8	24	50	8	20	390	165	130	200	12	3.5	195	150	268	
100L	2,4,6,8	28	60	8	24	435	215	180	250	14.5	4	215	160	275	
112M	2,4,6,8	28	60	8	24	480	215	180	250	14.5	4	240	185	318	
132S	2,4,6,8	38	80	10	33	510	265	230	300	14.5	4	275	205	345	
132M	2,4,6,8	38	80	10	33	550	265	230	300	14.5	4	275	205	345	

YEJ2 电磁制动三相异步电动机

Three Phase Induction Motor With Electromagnetic Braking



产品概述 PRODUCT OVERVIEW

YEJ2系列电磁制动电动机是一种全封闭自扇冷式鼠笼型三相异步电机。该系列电机按照IEC标准设计，具有启动转矩大、结构紧凑、制动迅速、运行可靠、高效节能、噪音低等优点。此外，电机设计有手动释放结构，既可以电磁制动，又可以手动操作，方便用户调试和使用。YEJ2系列电磁制动电动机适用于要求快速停止、精确定位、反复运转、频繁启动、防止滑行的各类机械设备中作为动力，如升降机、减速机、运输机械、包装机械、食品机械、印刷机械等。原理与结构：YEJ2系列电磁制动电动机的直流制盘制动器安装在电机非轴伸端上，当电机接入电源，制动器即开始工作，在电磁引力作用下，电磁铁吸引衔铁并压缩弹簧，制动盘与衔铁、端盖脱开，电机开始运转。当切断电源时，制动器电磁铁失去引力，弹簧推动衔铁压紧制动盘，在摩擦力的作用下，电机立即停止工作。制动部分为通电制动器和失电制动器两种，两种制动器工作原理相同，而制动过程相反。YEJ2系列电机可以衍生出YDEJ2系列多速制动电机和YVFEJ2系列变频制动电机。

YEJ2 series electromagnetic brake motor is a totally enclosed self fan cooled squirrel cage three-phase asynchronous motor. This series of motors are designed according to IEC standard, with the advantages of large starting torque, compact structure, fast braking, reliable operation, high efficiency and energy saving, low noise and so on. In addition, the motor is designed with a manual release structure, which can be used for electromagnetic braking and manual operation, which is convenient for users to debug and use. YEJ2 series electromagnetic braking motor is suitable for all kinds of mechanical equipment requiring fast stop, accurate positioning, repeated operation, frequent start and sliding prevention, such as elevator, reducer, transportation machinery, packaging machinery, food machinery, printing machinery, etc. Principle and structure: the DC disc brake of YEJ2 series electromagnetic braking motor is installed on the non shaft extension end of the motor. When the motor is connected with the power supply, the brake starts to work. Under the action of electromagnetic gravity, the electromagnet attracts the armature and compresses the spring, the brake disc is detached from the armature and the end cover, and the motor starts to run. When the power supply is cut off, the electromagnet of the brake loses its gravitation, and the spring pushes the armature to press the brake disc. Under the action of friction, the motor stops working immediately. The brake is divided into two types: the on brake and the off brake. The two types of brake work well. The mechanism is the same, but the braking process is opposite. YEJ2 series motor can be derived from YDEJ2 series multi speed brake motor and YVFEJ2 series variable frequency brake motor.

使用条件 OPERATING CONDITIONS

环境温度: -15°C~40°C
 海拔: 不超过1000米
 额定电压: 380V, 400V, 415V
 额定频率: 50Hz, 60Hz
 接法: 额定功率3kW及以下电机为Y接法
 额定功率4kW及以上电机为△接法
 工作制: 连续工作制(S1)
 防护等级: IP55
 绝缘等级: F级
 冷却方式: IC411

Ambient Temperature: -15°C~40°C
 Altitude: Up to 1000 meters
 Rated Voltage: 380V, 400V, 415V
 Rated Frequency: 50Hz, 60Hz
 Connection: Output ≤ 3kW, Y connection
 Output ≥ 4kW, Δ connection;
 Duty: Continuous(S1)
 Ingress Protection: IP55
 Insulation Class: Class F
 Cooling Method: IC411

YEJ2系列电机技术参数/Technical data—YEJ2 series motor—2 Poles—380V/50Hz

电机型号 Model	额定功率 Rated Output		满载时 Full Load				额定转矩 Rated Torque (Tn)	堵转转矩 堵转转矩 Tst/Tn	最大转矩 最大转矩 Tmax/Tn	堵转电流 堵转电流 Ist/In	静制动转矩 Static braking torque N.m	空载制动 时间不大于 Max.braking time at no-load S	制动率 功率 Brake Power W
			转速 Speed RPM	电流 Input Current Amp	效率 Efficiency η%	功率因素 Power Factor cosΦ							
YEJ2-80M1-2	0.75	1	2825	1.81	75.0	0.84	2.54	2.2	2.3	6.5	7.5	0.20	50
YEJ2-80M2-2	1.1	1.5	2825	2.52	77.0	0.86	3.72	2.2	2.3	7.0	7.5	0.20	50
YEJ2-90S-2	1.5	2	2840	3.44	78.0	0.85	5.04	2.2	2.3	7.0	15	0.20	60
YEJ2-90L-2	2.2	3	2840	4.83	80.5	0.86	7.40	2.2	2.3	7.0	15	0.20	60
YEJ2-100L-2	3	4	2870	6.39	82.0	0.87	9.98	2.2	2.3	7.0	30	0.20	80
YEJ2-112M-2	4	5.5	2880	8.17	85.5	0.87	13.30	2.2	2.3	7.0	40	0.25	110
YEJ2-132S1-2	5.5	7.5	2900	11.1	85.5	0.88	18.10	2.0	2.3	7.0	75	0.25	130
YEJ2-132S2-2	7.5	10	2900	15	86.2	0.88	24.70	2.0	2.3	7.0	75	0.25	130
YEJ2-160M1-2	11	15	2930	21.8	87.2	0.88	35.90	2.0	2.3	7.0	150	0.35	150
YEJ2-160M2-2	15	20	2930	29.4	88.2	0.88	48.90	2.0	2.2	7.0	150	0.35	150
YEJ2-160L-2	18.5	25	2930	35.5	89.0	0.89	60.30	2.0	2.2	7.0	150	0.35	150
YEJ2-180M-2	22	30	2940	42.2	89.0	0.89	71.50	2.0	2.2	7.0	200	0.35	150
YEJ2-200L1-2	30	40	2950	56.9	90.0	0.89	97.10	2.0	2.2	7.0	300	0.45	200
YEJ2-200L2-2	37	50	2950	69.8	90.5	0.89	119.8	2.0	2.2	7.0	300	0.45	200
YEJ2-225M-2	45	60	2960	83.9	91.5	0.89	145.2	2.0	2.2	7.0	450	0.45	200

YEJ2系列电机技术参数/Technical data—YEJ2 series motor—4 Poles—380V/50Hz

YEJ2-80M1-4	0.55	0.75	1390	1.51	73.0	0.76	3.78	2.4	2.3	6.0	7.5	0.20	50
YEJ2-80M2-4	0.75	1	1390	2.01	74.5	0.78	5.15	2.3	2.3	6.0	7.5	0.20	50
YEJ2-90S-4	1.1	1.5	1400	2.75	78.0	0.78	7.50	2.3	2.3	6.5	15	0.20	60
YEJ2-90L-4	1.5	2	1400	3.85	79.0	0.79	10.20	2.3	2.3	6.5	15	0.20	60
YEJ2-100L1-4	2.2	3	1420	5.03	81.0	0.82	14.80	2.2	2.3	7.0	30	0.20	80
YEJ2-100L2-4	3	4	1420	6.82	82.5	0.81	20.20	2.2	2.3	7.0	30	0.20	80
YEJ2-112M-4	4	5.5	1440	8.77	84.5	0.82	26.50	2.2	2.3	7.0	40	0.25	110
YEJ2-132S-4	5.5	7.5	1440	11.6	85.5	0.84	36.50	2.2	2.3	7.0	75	0.25	130
YEJ2-132M-4	7.5	10	1440	15.4	87.0	0.85	49.70	2.2	2.3	7.0	75	0.25	130
YEJ2-160M-4	11	15	1460	22.6	88.0	0.84	72.00	2.2	2.3	7.0	150	0.35	150
YEJ2-160L-4	15	20	1460	30.3	88.5	0.85	98.10	2.2	2.2	7.0	150	0.35	150
YEJ2-180M-4	18.5	25	1465	35.9	91.0	0.86	120.6	2.0	2.2	7.0	200	0.35	150
YEJ2-180L-4	22	30	1465	42.5	91.5	0.86	143.4	2.0	2.2	7.0	200	0.35	150
YEJ2-200L-4	30	40	1470	56.8	92.2	0.87	194.9	2.0	2.2	7.0	300	0.45	200
YEJ2-225S-4	37	50	1475	70.4	91.8	0.87	239.6	1.9	2.2	7.0	450	0.45	200
YEJ2-225M-4	45	60	1475	84.2	92.3	0.88	291.4	1.9	2.2	7.0	450	0.45	200

YEJ2系列电机技术参数/Technical data—YEJ2 series motor—6 Poles—380V/50Hz

YEJ2-90S-6	0.75	1	910	2.25	72.5	0.70	7.87	2.0	2.2	5.5	15	0.20	60
YEJ2-90L-6	1.1	1.5	910	3.16	73.5	0.72	11.50	2.0	2.2	5.5	15	0.20	60
YEJ2-100L-6	1.5	2	930	3.97	77.5	0.74	15.40	2.0	2.2	6.0	30	0.20	80
YEJ2-112M-6	2.2	3	940	5.61	80.5	0.74	22.40	2.0	2.2	6.0	40	0.25	110
YEJ2-132S-6	3	4	960	7.23	83.0	0.76	29.80	2.0	2.2	6.5	75	0.25	130
YEJ2-132M1-6	4	5.5	960	9.4	84.0	0.77	38.80	2.0	2.2	6.5	75	0.25	130
YEJ2-132M2-6	5.5	7.5	960	12.6	85.3	0.78	54.70	2.0	2.2	6.5	75	0.25	130
YEJ2-160M-6	7.5	10	970	17	86.0	0.78	73.80	2.0	2.2	6.5	150	0.35	150

YVF2 变频调速三相异步电机 Frequency Control Three-phase Asynchronous Motor

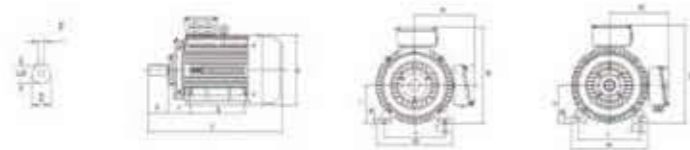


YEJ2-160L-6	11	15	970	24.6	87.0	0.78	108.3	2.0	2.2	6.5	150	0.35	150
YEJ2-180M-6	15	20	970	31.4	89.5	0.81	147.7	1.8	2.2	6.5	200	0.35	150
YEJ2-200L1-6	18.5	25	975	37.7	89.8	0.83	181.2	1.8	2.2	6.5	300	0.45	200
YEJ2-200L2-6	22	30	975	44.6	90.2	0.83	215.5	1.8	2.2	6.5	300	0.45	200
YEJ2-225M-6	30	40	980	59.5	90.2	0.85	292.3	1.7	2.2	6.5	450	0.45	200

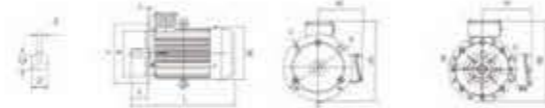
YEJ2系列电机技术参数/Technical data—YEJ2 series motor— 8 Poles—380V/50Hz

YEJ2-132S-8	2.2	3	710	5.87	60.2	0.71	29.60	2.0	2.0	5.5	75	0.25	130
YEJ2-132M-8	3	4	710	7.72	82.0	0.72	40.40	2.0	2.0	5.5	75	0.25	130
YEJ2-160M1-8	4	5.5	720	9.9	84.0	0.73	53.10	2.0	2.0	6.0	150	0.35	150
YEJ2-160M2-8	5.5	7.5	720	13.3	85.0	0.74	73.00	2.0	2.0	6.0	150	0.35	150
YEJ2-160L-8	7.5	10	720	17.7	86.0	0.75	99.50	2.0	2.0	5.5	150	0.35	150
YEJ2-180L-8	11	15	730	24.8	87.5	0.77	143.9	1.7	2.0	6.0	200	0.35	150
YEJ2-200L-8	15	20	730	34.1	88.0	0.76	198.2	1.8	2.0	6.0	300	0.45	200
YEJ2-225S-8	18.5	25	730	41.3	89.5	0.76	242.0	1.7	2.0	6.0	450	0.45	200
YEJ2-225-8	22	30	730	47.6	90.0	0.78	267.8	1.8	2.0	6.0	450	0.45	200

B3外形及安装尺寸 OUTLINE AND INSTALLATION DIMENSIONS



B5外形及安装尺寸 OUTLINE AND INSTALLATION DIMENSIONS



型号 Model	极数 Poles	安装尺寸/Mounting Dimension														
		A	B	C	D	E	F	G	H	K	L	AS	AC	AD	HA	HD
80	2,4,6,8	120	100	50	19	40	6	15.5	80	20	50	165	175	140	10	220
90S	2,4,6,8	140	100	56	24	50	8	20	90	10	30	180	195	150	12.5	260
90L	2,4,6,8	140	125	56	24	50	8	20	90	10	30	180	195	150	12.5	260
100L	2,4,6,8	160	140	63	28	60	8	24	100	12	40	205	235	160	14	270
112M	2,4,6,8	190	160	70	38	60	8	24	112	12	40	230	240	185	14	310
132S	2,4,6,8	216	140	88	38	80	10	32	132	12	50	270	275	205	16	365
132M	2,4,6,8	230	178	88	38	80	10	32	132	12	50	270	275	205	16	365
160M	2,4,6,8	254	210	100	42	110	12	37	160	14.5	70	320	330	250	19	420
180L	2,4,6,8	284	254	108	42	110	12	37	180	14.5	70	350	360	290	19	470
180M	2,4,6,8	279	241	121	48	110	14	42.5	180	14.5	85	350	360	270	22	460
180L	2,4,6,8	279	279	121	48	119	14	42.5	180	14.5	85	350	360	270	22	460
200L	2,4,6,8	318	305	133	55	110	16	49	200	16.5	80	395	420	325	25	475
225S	4,6,8	356	286	149	60	140	18	52	225	18.5	90	438	465	325	28	560
225M	2	356	311	149	55	110	16	49	225	18.5	85	438	465	315	28	560
225M	4,6,8	356	311	149	60	140	18	52	225	18.5	90	438	465	325	28	560
250M	2	400	349	168	60	140	18	53	250	24	95	495	520	370	33	635
250M	4,6,8	457	368	190	65	140	18	53	250	24	100	550	570	395	35	705
280S	2,4,6,8	457	368	190	75	140	20	67.5	280	24	100	550	570	395	35	705
280M	2	457	418	190	65	140	18	53	280	24	100	550	570	395	35	705
280M	4,6,8	457	418	190	75	140	20	67.5	280	24	100	550	570	395	35	705
315S	2	508	406	216	65	140	18	53	315	28	110	635	650	495	45	845
315M	2	508	457	216	65	140	18	53	315	28	120	635	650	495	45	845
315M	4,6,8	508	457	216	80	170	22	71	315	28	120	635	650	495	45	845
355L	2	568	508	218	65	140	18	53	355	28	120	635	650	495	45	845
355M	2	630	568	254	80	170	22	71	355	28	130	635	650	495	45	1000
355M	4,6,8	630	568	254	80	170	22	71	355	28	130	635	650	495	45	1000
355L	2	630	630	254	80	170	25	88	355	28	150	735	735	550	49	1000
355L	4,6,8	630	630	254	80	170	25	88	355	28	150	735	735	550	49	1000

型号 Model	极数 Poles	安装尺寸/Mounting Dimension												
		D	E	F	G	L	M	N	P	S	T	AC	AD	HC
80	2,4,6,8	19	40	6	15.5	301	168	130	200	12	3.5	175	140	220
90S	2,4,6,8	24	50	8	20	360	185	130	200	12	3.5	185	150	260
90L	2,4,6,8	24	50	8	20	360	185	130	200	12	3.5	185	150	260
100L	2,4,6,8	28	60	8	24	435	215	150	250	14.5	4	215	160	275
112M	2,4,6,8	28	60	8	24	460	215	150	250	14.5	4	240	160	310
132S	2,4,6,8	38	80	10	33	510	265	230	300	14.5	4	275	205	345
132M	2,4,6,8	38	80	10	33	510	265	230	300	14.5	4	275	205	345
160M	2,4,6,8	48	110	14	42.5	732	305	250	350	16.5	5	330	250	425
180L	2,4,6,8	48	110	14	42.5	790	305	250	350	16.5	5	330	250	425
180M	2,4,6,8	48	110	14	42.5	790	305	250	350	16.5	5	330	250	425
200L	2,4,6,8	58	118	16	49	779	398	300	400	16.5	5	420	325	475
225S	4,6,8	60	140	18	52	836	480	350	450	18.5	6	465	330	560
225M	2	60	140	18	49	821	480	350	450	18.5	6	465	330	560
225M	4,6,8	60	140	18	52	866	480	350	450	18.5	6	465	330	560
250M	2	66	140	18	53	866	480	350	450	18.5	6	520	370	620
250M	4,6,8	66	140	18	53	900	480	350	450	18.5	6	520	370	620
280S	2,4,6,8	80	140	18	56	970	500	450	550	18.5	6	570	395	685
280M	2	80	140	18	56	1020	500	450	550	18.5	6	570	395	685
280M	4,6,8	80	140	20	67.5	1015	500	450	550	18.5	6	570	395	685
315S	2	86	140	18	56	1180	600	500	600	24	6	650	495	820
315M	2	86	140	18	56	1270	600	500	600	24	6	650	495	820
315M	4,6,8	86	140	18	56	1307	600	500	600	24	6	650	495	820
355L	2	90	140	18	56	1317	600	500	600	24	6	650	495	820
355M	2	90	140	20	67.5	1317	600	500	600	24	6	650	495	820
355M	4,6,8	90	140	20	67.5	1350	600	500	600	24	6	650	495	820
355L	2	90	140	20	67.5	1630	740	600	800	24	6	735	600	1000
355L	4,6,8	90	140	20	67.5	1630	740	600	800	24	6	735	600	1000

产品概述 PRODUCT OVERVIEW

YVF2系列变频调速专用三相异步电动机是一种由变频调速装置供电的专用电机，该系列电机在与变频调速装置组成的系统中，可实现无极调速，以达到节能和自动化控制的目的。YVF2系列电机采用鼠笼型结构，运行可靠，维护方便，并配有独立的冷却风机，保证电机在不同转速下均有良好的冷却效果。YVF2系列电机适用于各种需要调速的传动装置中，广泛应用于机床、纺织、轻工、化工、冶金等行业，配合高精度传感器，可实现高精度闭环控制。该系列电机的安装尺寸与输出功率等级和Y2系列电机相同，符合国家标准GB/T4772.1-1999(等同国际电工委员会标准IEC60072-1:1991)，方便用户的配套和选用。

YVF2 series three-phase asynchronous motor for variable frequency speed regulation is a special motor powered by variable frequency speed regulation device. In the system composed of variable frequency speed regulation device, the series motor can achieve stepless speed regulation, so as to achieve the purpose of energy saving and automatic control. YVF2 series motor adopts rat pen structure, reliable operation, easy maintenance, and equipped with an independent cooling fan, to ensure that the motor has a good cooling effect at different speeds. YVF2 series motor is suitable for all kinds of transmission devices that need speed regulation, widely used in machine tool, textile, light industry, chemical industry, metallurgy and other industries, with high precision sensor, can achieve high precision closed-loop control. The installation size of this series of motors is the same as the output power class and Y2 series motors, in line with the national standard GB/T4772.1-1999(equivalent to the International Electrotechnical Commission standard IEC60072-1:1991), convenient for users to support and choose.

使用条件 OPERATING CONDITIONS

环境温度:-15°C~40°C
 海拔:不超过1000米
 额定电压:380V, 400V, 415V
 额定频率:50Hz
 接法:额定功率55kW及以下电机为Y接法额定功率
 55kW以上电机为△接法
 工作制:连续工作制(S1)
 防护等级:IP54/IP55
 绝缘等级:B级/F级
 冷却方式:IC416

Ambient Temperature:-15°C~40°C Altitude:Up to
 1000 meters
 Rated Voltage:380V,400V,415V
 Rated Frequency: 50Hz
 Connection:Output ≤55kW,"Y" connection
 Output>55kW,"△"connection
 Duty:Continuous(S1)
 Ingress Protection:IP54/IP55
 Insulation Class: Class B/Class F
 Cooling Method: IC416

YVF2系列电机技术参数/Technical data—YVF2 series motor— 380V

电机型号 Model	额定功率 Rated Output		电流 Input Current Amp	额定转矩 Rated Torque (Tn) N.m	恒转矩变频范围 Frequency range torque Hz	恒转矩变频范围 Frequency range torque Hz	最小转矩 额定转矩 Tmin/Tn	噪声 Noise dB(A)	重量 Weight Kg
	kW	HP							
YVF2-80M1-4	0.55	0.75	1.55	3.5	5-50	5-100	1.7	73	15
YVF2-80M2-4	0.75	1	2.05	4.7	5-50	5-100	1.6	73	16
YVF2-90S-4	1.1	1.5	2.8	7.0	5-50	5-100	1.6	76	20
YVF2-90L-4	1.5	2	3.7	9.5	5-50	5-100	1.6	76	24
YVF2-100L1-4	2.2	3	5.05	14.0	5-50	5-100	1.5	79	32
YVF2-100L2-4	3	4	6.8	19.0	5-50	5-100	1.5	79	35
YVF2-112M-4	4	5.5	8.75	25.4	5-50	5-100	1.5	80	43
YVF2-132S-4	5.5	7.5	11.4	35.0	5-50	5-100	1.4	86	62
YVF2-132M-4	7.5	10	15.3	47.7	5-50	5-100	1.4	86	70
YVF2-160M-4	11	15	22.1	70.0	5-50	5-100	1.4	90	110
YVF2-160L-4	15	20	30.1	95.5	5-50	5-100	1.4	90	132
YVF2-180M-4	18.5	25	35.4	117.1	5-50	5-100	1.2	91	162
YVF2-180L-4	22	30	41.6	140.9	5-50	5-100	1.2	91	178
YVF2-200L-4	30	40	55.9	190.9	5-50	5-100	1.2	92	230
YVF2-225S-4	37	50	68.2	235.5	5-50	5-100	1.2	94	280
YVF2-225M-4	45	60	82.5	286.4	5-50	5-100	1.1	94	315
YVF2-250M-4	55	75	10.1	350.1	3-50	5-100	1.1	96	385
YVF2-280S-4	75	100	132.3	477.7	3-50	5-100	1.0	99	515
YVF2-280M-4	90	120	157.4	572.9	3-50	5-100	1.0	99	580
YVF2-315S-4	110	150	191.4	700.2	3-50	5-100	1.0	105	880
YVF2-315M-4	132	175	227.6	840.3	3-50	5-100	1.0	105	980
YVF2-315L1-4	160	220	274.2	1018.5	3-50	5-100	1.0	109	1040
YVF2-315L2-4	200	270	341.6	1273.2	3-50	5-100	0.9	109	1120
YVF2-355M-4	250	340	421.2	1591.5	3-50	5-100	0.9	112	1730
YVF2-355L-4	315	430	530.7	2005.3	3-50	5-100	0.9	112	1890

YD 变极多速三相异步电动机

Pole changing multi speed three phase asynchronous motor


产品概述 PRODUCT OVERVIEW

YD系列变极多速三相异步电动机有双速、三速、四速等类型,采用单绕组变极方法实现转速变换,用户使用时只需选择相应的接法,即可使电机以对应的转速转动。该系列电机的外形与安装尺寸同Y2系列电机,主要技术指标达到IEC标准,具有体积小、重量轻、噪音低、启动性能好、运行可靠、维护方便等特点,本系列电机广泛应用于各类需要调速的机械设备,可降低整机噪音、节约能源,并使整机结构紧凑。本公司可以根据用户需求,设计生产特殊规格的变极多速电机,如YDT风机、泵类负载变极多速电机等,该系列电机的使用条件同Y2系列电机。

YD series pole-changing multi-speed three-phase asynchronous motor has two speed, three speed, four speed and other types, using single-winding pole-changing method to achieve speed transformation, users only need to choose the corresponding connection method, can make the motor to rotate at the corresponding speed. This series motors are the appearance and installation dimensions are the same as Y2 series motor, main technical indexes meet the IEC standards, has small volume, light weight, low noise, good startup performance, reliable operation, maintenance is convenient wait for a characteristic, the series motors are widely used in all kinds of needs to have used machinery and equipment, can reduce the engine noise, energy saving, and make the whole machine structure is compact. The company can design and produce pole variable multi-speed motors with special specifications according to user requirements, such as YDT fan, pump load pole variable multi-speed motors, etc. The use conditions of this series of motors are the same as that of Y2 series motors.

YD系列电机技术参数/Technical data-YD series motor -380V/50Hz

电机型号 Model	极数 Poles	额定功率 Rated Output KW	满载时 Full Load				额定转矩 Rated Torque (Tn) N.m	堵转转矩 额定转矩 Tst/Tn	最大转矩 额定转矩 Tmax/Tn	堵转电流 额定电流 Ist/In
			转速 Speed RPM	电流 Input Current Amp	效率 Efficiency η%	功率因数 Power Factor cosΦ				
YD-80M1-4/2	4	0.45	1420	1.4	66.0	0.74	3.03	1.5	1.8	6.5
	2	0.55	2840	1.51	65.0	0.85	1.85	1.7	1.8	7.0
YD-80M2-4/2	4	0.55	1420	1.66	68.0	0.74	3.70	1.6	1.8	6.5
	2	0.75	2840	2.03	66.0	0.85	2.52	1.8	1.8	7.0
YD-90S-4/2	4	0.85	1430	2.27	74.0	0.77	5.68	1.8	1.8	6.5
	2	1.1	2850	2.77	71.0	0.85	3.69	1.9	1.8	7.0
YD-90L-4/2	4	1.3	1430	3.33	76.0	0.78	8.68	1.8	1.8	6.5
	2	1.8	2850	4.41	73.0	0.85	6.03	2.0	1.8	7.0
YD-100L1-4/2	4	2	1430	4.81	78.0	0.81	13.40	1.7	1.8	6.5
	2	2.4	2850	5.58	76.0	0.86	8.04	1.9	1.8	7.0



YD系列电机技术参数/Technical data-YD series motor -380V/50Hz

电机型号 Model	极数 Poles	额定功率 Rated Output	满载时 Full Load				额定转矩 Rated Torque (Tn)	堵转转矩 额定转矩	最大转矩 额定转矩	堵转电流 额定电流
			转速	电流	效率	功率因素				
			Speed RPM	Input Current Amp	Efficiency η%	Power Factor cosΦ				
YD-100L2-4/2	4	2.4	1430	5.56	79.0	0.83	16.00	1.6	1.8	6.5
	2	3	2850	6.65	77.0	0.89	10.10	1.7	1.8	7.0
YD-112M-4/2	4	3.3	1450	7.37	82.0	0.83	21.70	1.9	1.8	6.5
	2	4	2880	8.64	79.0	0.89	13.30	2.0	1.8	7.0
YD-132S-4/2	4	4.5	1450	9.81	83.0	0.84	29.60	1.7	1.8	6.5
	2	5.5	2880	11.9	79.0	0.89	18.20	1.8	1.8	7.0
YD-132M-4/2	4	6.5	1450	13.8	84.0	0.85	42.80	1.7	1.8	6.5
	2	8	2880	17.1	80.0	0.89	26.50	1.8	1.8	7.0
YD-160M-4/2	4	9	1460	18.5	87.0	0.85	58.90	1.6	1.8	6.5
	2	11	2920	22.9	82.0	0.89	36.00	1.8	1.8	7.0
YD-160L-4/2	4	11	1460	22.3	87.0	0.86	72.00	1.7	1.8	6.5
	2	14	2920	28.8	82.0	0.90	45.80	1.9	1.8	7.0
YD-180M-4/2	4	15	1470	29.4	89.0	0.87	97.40	1.8	1.8	6.5
	2	18.5	2940	36.7	85.0	0.90	60.10	1.9	1.8	7.0
YD-180L-4/2	4	18.5	1470	35.9	89.0	0.88	120.20	1.6	1.8	6.5
	2	22	2940	42.7	86.0	0.91	71.50	1.8	1.8	7.0
YD-200L-4/2	4	26	1470	49.9	89.0	0.89	168.90	1.4	1.8	6.5
	2	30	2940	58.3	85.0	0.92	97.45	1.6	1.8	7.0
YD-90S-6/4	6	0.65	920	2.27	64.0	0.68	6.75	1.6	1.8	6.0
	4	0.85	1400	2.34	70.0	0.79	5.80	1.4	1.8	6.5
YD-90L-6/4	6	0.85	930	2.8	66.0	0.70	8.73	1.6	1.8	6.0
	4	1.1	1400	2.98	71.0	0.79	7.50	1.5	1.8	6.5
YD-100L1-6/4	6	1.3	940	3.81	74.0	0.70	13.20	1.7	1.8	6.0
	4	1.8	1440	4.44	77.0	0.80	11.90	1.4	1.8	6.5
YD-100L2-6/4	6	1.5	940	4.34	75.0	0.70	15.20	1.6	1.8	6.0
	4	2.2	1440	5.43	77.0	0.80	14.60	1.4	1.8	6.5
YD-112M-6/4	6	2.2	960	5.71	78.0	0.75	21.90	1.8	1.8	6.0
	4	2.8	1450	6.74	77.0	0.82	18.40	1.5	1.8	6.5
YD-132S-6/4	6	3	970	7.69	79.0	0.75	29.50	1.8	1.8	6.0
	4	4	1450	9.5	78.0	0.82	26.30	1.7	1.8	6.5
YD-132M-6/4	6	4	970	9.75	82.0	0.76	39.40	1.6	1.8	6.0
	4	5	1450	12.3	80.0	0.85	36.20	1.4	1.8	6.5
YD-160M-6/4	6	6.5	970	15.1	84.0	0.78	64.00	1.5	1.8	6.0
	4	8	1460	17.6	82.0	0.84	52.30	1.5	1.8	6.5
YD-160L-6/4	6	9	970	20.6	85.0	0.78	88.60	1.6	1.8	6.0
	4	11	1460	23.7	83.0	0.85	72.00	1.7	1.8	6.5
YD-180M-6/4	6	11	980	25.9	85.0	0.76	107.20	1.6	1.8	6.0
	4	14.5	1470	29.8	84.0	0.85	91.00	1.7	1.8	6.5
YD-180L-6/4	6	13	980	29.4	86.0	0.78	126.70	1.7	1.8	6.0
	4	16	1470	33.6	85.0	0.85	103.90	1.7	1.8	6.5
YD-200L-6/4	6	18.5	980	41.4	87.0	0.78	180.30	1.6	1.8	6.5
	4	22	1470	44.9	86.5	0.86	142.90	1.5	1.8	7.0

YD系列电机技术参数/Technical data-YD series motor -380V/50Hz

电机型号 Model	极数 Poles	额定功率 Rated Output	满载时 Full Load				额定转矩 Rated Torque (Tn)	堵转转矩 额定转矩	最大转矩 额定转矩	堵转电流 额定电流
			转速	电流	效率	功率因素				
			Speed RPM	Input Current Amp	Efficiency η%	Power Factor cosΦ				
YD-90L-8/4	8	0.45	700	1.87	58.0	0.63	6.14	1.6	1.8	5.5
	4	0.75	1400	1.82	72.0	0.87	5.12	1.4	1.8	6.5
YD-100L-8/4	8	0.85	700	3.06	67.0	0.63	11.60	1.6	1.8	5.5
	4	1.5	1410	3.5	74.0	0.88	10.20	1.4	1.8	6.5
YD-112M-8/4	8	1.5	700	5.02	72.0	0.63	20.50	1.7	1.8	5.5
	4	2.4	1410	5.31	78.0	0.88	16.30	1.7	1.8	6.5
YD-132S-8/4	8	2.2	720	6.96	75.0	0.64	29.20	1.5	1.8	5.5
	4	3.3	1440	7.12	80.0	0.88	21.90	1.7	1.8	6.5
YD-132M-8/4	8	3	720	8.99	78.0	0.65	39.80	1.5	1.8	5.5
	4	4.5	1440	9.37	82.0	0.89	29.80	1.6	1.8	6.5
YD-160M-8/4	8	5	730	13.9	83.0	0.66	65.40	1.5	1.8	5.5
	4	7.5	1450	15.2	84.0	0.89	49.40	1.6	1.8	6.5
YD-160L-8/4	8	7	730	19	85.0	0.66	91.60	1.5	1.8	5.5
	4	11	1450	21.8	86.0	0.89	72.40	1.6	1.8	6.5
YD-180L-8/4	8	11	730	26.7	87.0	0.72	143.90	1.5	1.8	6.0
	4	17	1460	32.3	88.0	0.91	111.20	1.5	1.8	7.0
YD-200L1-8/4	8	14	730	33	87.0	0.74	183.20	1.8	1.8	6.0
	4	22	1460	41.3	88.0	0.92	143.90	1.7	1.8	7.0
YD-200L2-8/4	8	17	730	40.1	87.0	0.74	222.40	1.5	1.8	6.0
	4	26	1460	48.8	88.0	0.92	170.10	1.7	1.8	7.0
YD-90S-8/6	8	0.35	700	1.58	56.0	0.60	4.78	1.8	1.8	5.0
	6	0.45	930	1.36	70.0	0.72	4.62	2.0	1.8	6.0
YD-90L-8/6	8	0.45	700	1.93	59.0	0.60	6.14	1.7	1.8	5.0
	6	0.65	930	1.91	71.0	0.73	6.67	1.8	1.8	6.0
YD-100L-8/6	8	0.75	710	2.92	65.0	0.60	10.10	1.8	1.8	6.0
	6	1.1	950	3.05	75.0	0.73	11.10	1.9	1.8	6.0
YD-112M-8/6	8	1.3	710	4.5	7.0	0.61	17.50	1.7	1.8	5.0
	6	1.8	950	4.8	78.0	0.73	18.10	1.9	1.8	6.0
YD-132S-8/6	8	1.8	730	5.8	76.0	0.62	23.50	1.6	1.8	5.0
	6	2.4	970	6.24	80.0	0.73	23.60	1.9	1.8	6.0
YD-132M-8/6	8	2.6	790	8.17	78.0	0.62	34.00	1.9	1.8	5.0
	6	3.7	770	9.39	82.0	0.73	36.40	1.9	1.8	6.0
YD-160M-8/6	8	4.5	730	13.3	83.0	0.62	58.90	1.6	1.8	5.0
	6	6	980	14.7	85.0	0.73	58.50	1.9	1.8	6.0
YD-160L-8/6	8	6	730	17.5	84.0	0.62	78.50	1.6	1.8	5.0
	6	8	980	19.4	86.0	0.73	78.00	1.9	1.8	6.0
YD-180M-8/6	8	7.5	730	21.9	84.0	0.62	98.10	1.9	1.8	5.0
	6	10	980	24.2	86.0	0.73	97.40	1.9	1.8	6.0
YD-180L-8/6	8	9	730	24.8	85.0	0.65	117.70	1.8	1.8	5.0
	6	12	980	28.3	86.0	0.75	116.90	1.8	1.8	6.0
YD-200L1-8/6	8	12	730	32.6	83.0	0.65	157.00	1.8	1.8	5.0
	6	17	980	39.1	87.0	0.76	165.70	2.0	1.8	6.0
YD-200L2-8/6	8	15	730	40.3	87.0	0.65	196.20	1.8	1.8	5.0
	6	20	980	45.4	88.0	0.76	194.90	2.0	1.8	6.0



JW 分马力微型电动机 Fractional Horsepower Miniature Motor

产品概述 PRODUCT OVERVIEW

JW系列电动机是供一般用途的小功率全封闭自扇冷式三相异步电动机，其功率等级和安装尺寸符合IEC标准，具有重量轻，噪声低，起动性能好，运行可靠，维护方便等特点。外壳防护等级IP44，冷却方式IC0141，广泛用于钻床，小型机床，医疗器械，风机，各种机械设备等。

JW series motors are small power fully enclosed fan-cooled three-phase asynchronous motors for general use. Their power class and mounting size meet IEC standard. With light weight, low noise, good starting performance, reliable operation, easy maintenance and so on. It adopts IP44 class B insulation, enclosure protection, cooling method IC0141, widely used in drilling machines, small machine tools, medical instruments, fans, all kinds of machinery and equipment.



使用条件 CONDITIONS OF USE

机座号:50-71 Frame No: 50-71
频率:50Hz Frequency: 50Hz
功率范围:80-750W Power: 80-750W
防护等级:B Protection Class: B

技术参数 Technical Data

型号 Type	功率 Power W	电压 Voltage (V)	转速 Rpm (r/min)	电流 Current (A)	效率 Eff (%)
JW5012	50	380	2800	0.25	61
JW5022	90	380	2800	0.30	65
JW5014	40	380	1400	0.25	53
JW5024	60	380	1400	0.30	57
JW5612	120	380	2800	0.39	67
JW5622	180	380	2800	0.53	69
JW5614	90	380	1400	0.39	58
JW5624	120	380	1400	0.48	60
JW6312	250	380	2800	0.69	71
JW6322	370	380	2800	1.00	72.5
JW6314	180	380	1400	0.63	64
JW6324	250	380	1400	0.81	67
JW7112	550	380	2800	1.35	74
JW7122	750	380	2800	1.80	75
JW7104	250	380	1400	0.81	67
JW7114	370	380	1400	1.05	70
JW7124	550	380	1400	1.60	73
JW7134	750	380	1400	2.10	75
JW7116	250	360	910	0.65	62
JW7126	370	360	910	1.10	65
JW7136	550	360	910	1.60	68
JW7118	180	360	710	0.64	60
JW7128	250	360	710	0.75	62
JW7138	370	360	710	0.98	66

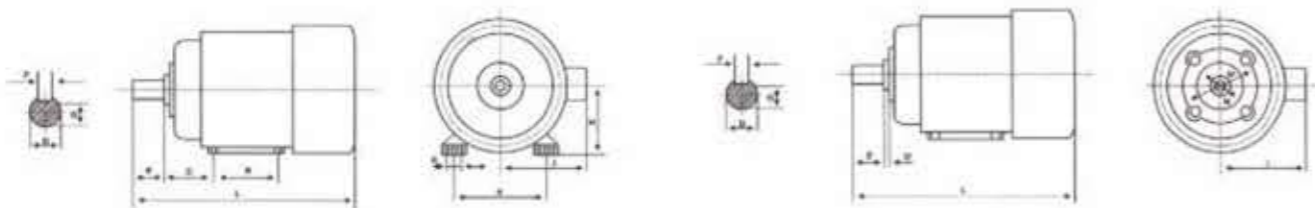
安装及外形尺寸 Instruction And Overall Dimension

(mm)

机座号 Frame NO	A	B	C	D	E	F	G	H	K	M	N	e	S	≤L	≤J
50	80	63	32	9	20	3	8	50	6	55	40	2	M5	150	60
56	90	70	36	11	23	4	8.5	56	7	65	50	2	M5	200	75
63	100	80	40	14	30	4	11.5	63	8	75	60	1	M5	230	85
71	112	90	45	16	40	5	12.8	71	10	85	70	1	M6	225	92

IMB3 卧式安装 Horizontal foot mounted

IMB14 小法兰式安装 Small flange



JX 分马力微型电动机 Fractional Horsepower Miniature Motor

产品概述 PRODUCT OVERVIEW

JX系列电动机是供一般用途的小功率全封闭自扇冷式单相异步电动机，其功率等级和安装尺寸符合IEC标准，具有重量轻，噪声低，起动性能好，运行可靠，维护方便等特点。采用B级绝缘，外壳防护等级IP44，冷却方式IC0141，额定频率为50Hz，广泛用于进口农用灌溉机械、制冷设备，通风设备，洗车机械，纺织机械，食品机械等。

JX series motors are small power fully enclosed fan-cooled single-phase asynchronous motors for general use. The power class and mounting size are in line with IEC standards. With light weight, low noise, good starting performance, reliable operation, easy maintenance and so on. It adopts IP44 class B insulation, enclosure protection, cooling method IC0141, rated frequency is 50Hz, widely used in imported agricultural irrigation machinery, refrigeration equipment, ventilation equipment, car washing machinery, textile machinery, food machinery and so on.



使用条件 CONDITIONS OF USE

机座号:50-71 Frame No: 50-71
频率:50Hz Frequency: 50Hz
功率范围:80-750W Power: 80-750W
防护等级:B Protection Class: B

技术参数 Technical Data

型号 Type	功率 Power W	电压 Voltage (V)	转速 Rpm (r/min)	电流 Current (A)	效率 Eff (%)	电容器 Capacitor
JX06B-2	25	220	2800	0.33	42	1.5
JX06A-2	40	220	2800	0.45	48	2
JX06B-4	15	220	1400	0.28	30	1.5
JX06A-4	25	220	1400	0.40	35	2
JX-5012	40	220	2800	0.50	55	2
JX-5022	60	220	2800	0.60	58	2
JX-5014	25	220	1400	0.50	57	2
JX-5024	40	220	1400	0.60	58	2
JX-5612	90	220	2800	1.00	60	4
JX-5622	120	220	2800	1.20	63	4
JX-5614	60	220	1400	0.80	61	4
JX-5624	90	220	1400	1.00	65	4
JX-6312	180	220	2800	1.44	66	4
JX-6322	250	220	2800	1.85	69	5
JX-6314	120	220	1400	1.20	63	4
JX-6324	180	220	1400	1.70	67	5
JX-7112	370	220	2800	3.00	72	8
JX-7122	550	220	2800	4.15	75	8
JX-7114	250	220	1400	2.80	64	8
JX-7124	370	220	1400	3.50	66	8

安装及外形尺寸 Instruction And Overall Dimension

(mm)

机座号 Frame NO	A	B	C	D	E	F	G	H	K	M	N	e	S	≤L	≤J
50	80	63	32	9	20	3	8	50	6	55	40	2	M5	150	60
56	90	70	36	11	23	4	8.5	56	7	65	50	2	M5	200	75
63	100	80	40	14	30	4	11.5	63	8	75	60	1	M5	230	85
71	112	90	45	16	40	5	12.8	71	10	85	70	1	M6	225	92

IMB3 卧式安装 Horizontal foot mounted

IMB14 小法兰式安装 Small flange

